

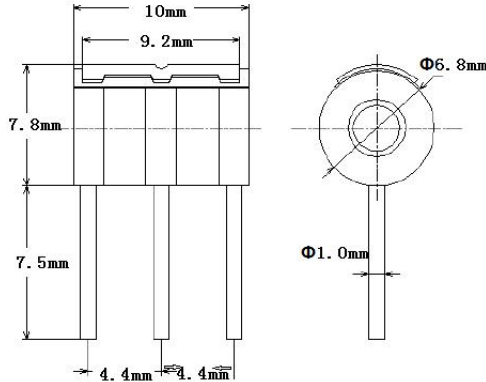
3-Electrode Gas Discharge Tubes

10KA

Radial Lead Wire



1: Dimension



2: Main Applications

- PCI Cards protection
- Telephone/Fax/Modem protection
- single line protection
- ADSL/XDSL Splitter, Power Supply
- Surge Protection Device/Surge Protector

3: Features

- 100% Lead-Free (RoHS Compliant)
- Non-Radioactive
- Low capacitance: ≤5pF
- Small size : Φ6.8x10mm
- Safety certification: File number: E505240

4 Electrical Characteristics

Part Number	DC Spark-over Voltage @100V/S	Impulse Spark-over Voltage @100V/μs	Impulse Spark-over Voltage @1KV/μs	Insulation Resistance GΩ	Impulse discharge current 8/20μs 10 Times	Impulse Life 300 hits 10x1000μs	AC discharge current 50Hz, 1s 10times	Delivery time days	UL Certificate
HA3R6-230HTF	230V	≤650V	≤700V	>1GΩ	10KA	200A	10A	15days	E505240

Nominal Dc spark-over voltage (100V/s) **230V(190V~300V)**

Maximum capacitance (1MHz) **5pF**

Max. residue voltage during glow discharge **80V**

Transverse delay time **<0.2μs**

Arc voltage @1A **~10V**

Glow to arc transition current **~1.5A**

Weight **~2g**

Climatic category (IEC 60068-1) **40/90/21**

1) At delivery AQL 0.65 leave II Military Standard 105 E.

2) In ionized mode

3) Tip or ring electrode to center electrode

4) Total current through center electrode, half value through tip respectively ring electrode

Note: • Terms in accordance with ITU-T Rec. K.12
• Test method in accordance with ITU-T Rec. K.12

3-Electrode Gas Discharge Tubes
Environmental resistance

10KA

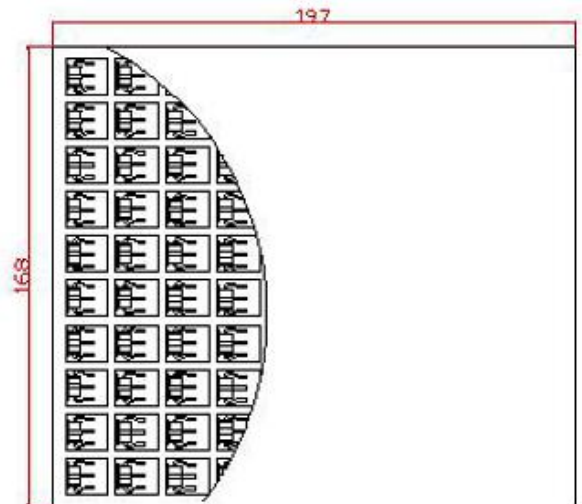
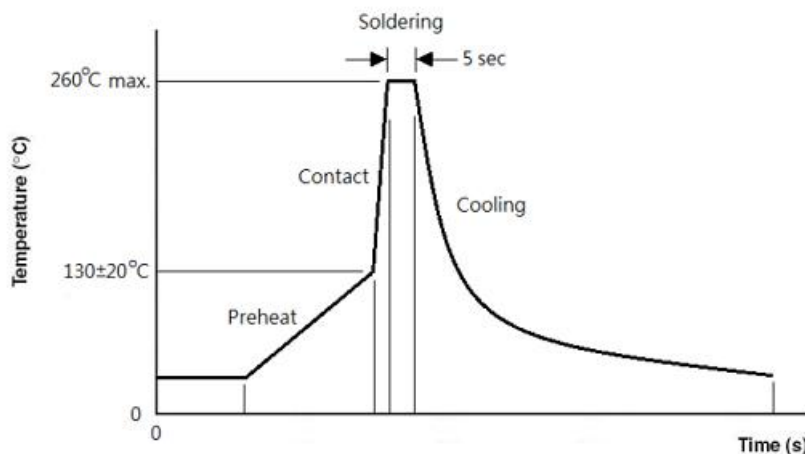
Storage temperature:	-40℃---+90℃
Operating temperature:	-40℃---+90℃
Wires Material:	Tin Plating
Body Material:	Ni Plating

Example Part Number: HA3R6-230HTF

HA	=	HUAAN
3	=	3 Electrode device
R	=	Gas Discharge Tube
6	=	6mm Diameter
230	=	230V
H	=	High Surge 10KA GDT
T	=	Radial Lead Wire
F	=	With Fail Short mechanism on top

Reflow Soldering Curve

Packaging Information



Packaging Quantity

Part Number	Quantity	
	Per Tray	Per Carton
HA3R6-230HTF Series	100PCS	5000PCS