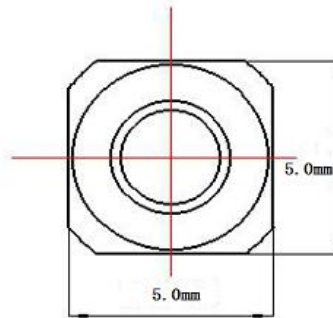
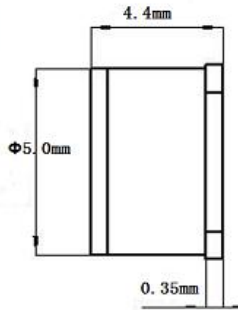


## 2-Electrode Gas Discharge Tubes

1: Dimension(mm)

2.5KA  
Surface Mount



### 2: Main Applications

- PCI Cards protection
- Telephone/Fax/Modem protection
- single line protection
- ADSL/XDSL Splitter,Power Supply
- Surge Protection Device/Surge Protector

### 3: Features

- 100% Lead-Free(RoHs Compliant )
- Non-Radioactive
- Low capacitance: ≤1pF
- Small size :Φ5x4.4mm
- Safety certification: File number: E505240

### 4 Electrical Characteristics

Part Number	DC Spark-over Voltage	Impulse Spark-over Voltage	Impulse Spark-over Voltage	Insulation Resistance	Impulse discharge current 8/20μs	Impulse Life 300 hits	AC discharge current 50Hz,1s	Delivery time	UL Certificate
	@100V/S	@100V/μs	@1KV/μs	GΩ	10 Times	10x1000μs	10times	days	UL497B
HA2R5-75MSMD	75V ±20%	≤500V	≤ 600V	>1GΩ	2.5KA	100A	2.5A	14days	E505240
HA2R5-90MSMD	90V ±20%	≤500V	≤ 600V	>1GΩ	2.5KA	100A	2.5A	14days	E505240
HA2R5-140MSMD	140V±20%	≤500V	≤ 600V	>1GΩ	2.5KA	100A	2.5A	14days	E505240
HA2R5-150MSMD	150V±20%	≤500V	≤ 600V	>1GΩ	2.5KA	100A	2.5A	14days	E505240
HA2R5-200MSMD	200V±20%	≤600V	≤ 700V	>1GΩ	2.5KA	100A	2.5A	14days	E505240
HA2R5-230MSMD	230V±20%	≤600V	≤ 700V	>1GΩ	2.5KA	100A	2.5A	14days	E505240
HA2R5-250MSMD	250V±20%	≤600V	≤ 700V	>1GΩ	2.5KA	100A	2.5A	14days	E505240
HA2R5-260MSMD	260V±20%	≤700V	≤ 800V	>1GΩ	2.5KA	100A	2.5A	14days	E505240
HA2R5-300MSMD	300V±20%	≤800V	≤ 900V	>1GΩ	2.5KA	100A	2.5A	14days	E505240
HA2R5-350MSMD	350V±20%	≤900V	≤ 1000V	>1GΩ	2.5KA	100A	2.5A	14days	E505240
HA2R5-400MSMD	400V±20%	≤900V	≤ 1000V	>1GΩ	2.5KA	100A	2.5A	14days	E505240
HA2R5-420MSMD	420V±20%	≤900V	≤ 1000V	>1GΩ	2.5KA	100A	2.5A	14days	E505240
HA2R5-470MSMD	470V±20%	≤1100V	≤ 1200V	>1GΩ	2.5KA	100A	2.5A	14days	E505240
HA2R5-500MSMD	500V±20%	≤1100V	≤ 1200V	>1GΩ	2.5KA	100A	2.5A	14days	E505240
HA2R5-600MSMD	600V±20%	≤1300V	≤1400V	>1GΩ	2.5KA	100A	2.5A	14days	E505240

Specifications are subject to change without notice

Tel: +86-755-27465585

**2-Electrode Gas Discharge Tubes**

**2.5KA**

1:At delivery AQL 0.65 leave II Military Standard 105 E

2:In ionized mode

3:Test according to ITU-T Rec.k.12

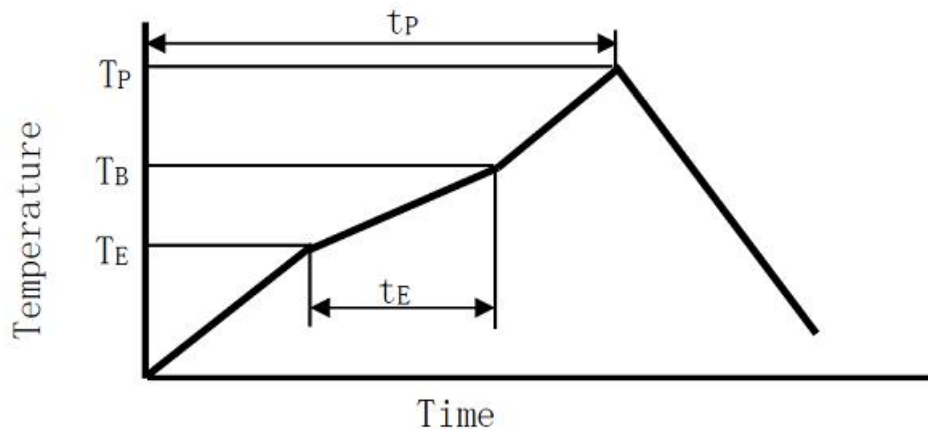
**Environmental resistance**

<b>Storage temperature:</b>	-40°C---+90°C
<b>Operating temperature:</b>	-40°C---+90°C
<b>Electrode:</b>	Tin Plated

**Example Part Number: HA2R5-90MSMD**

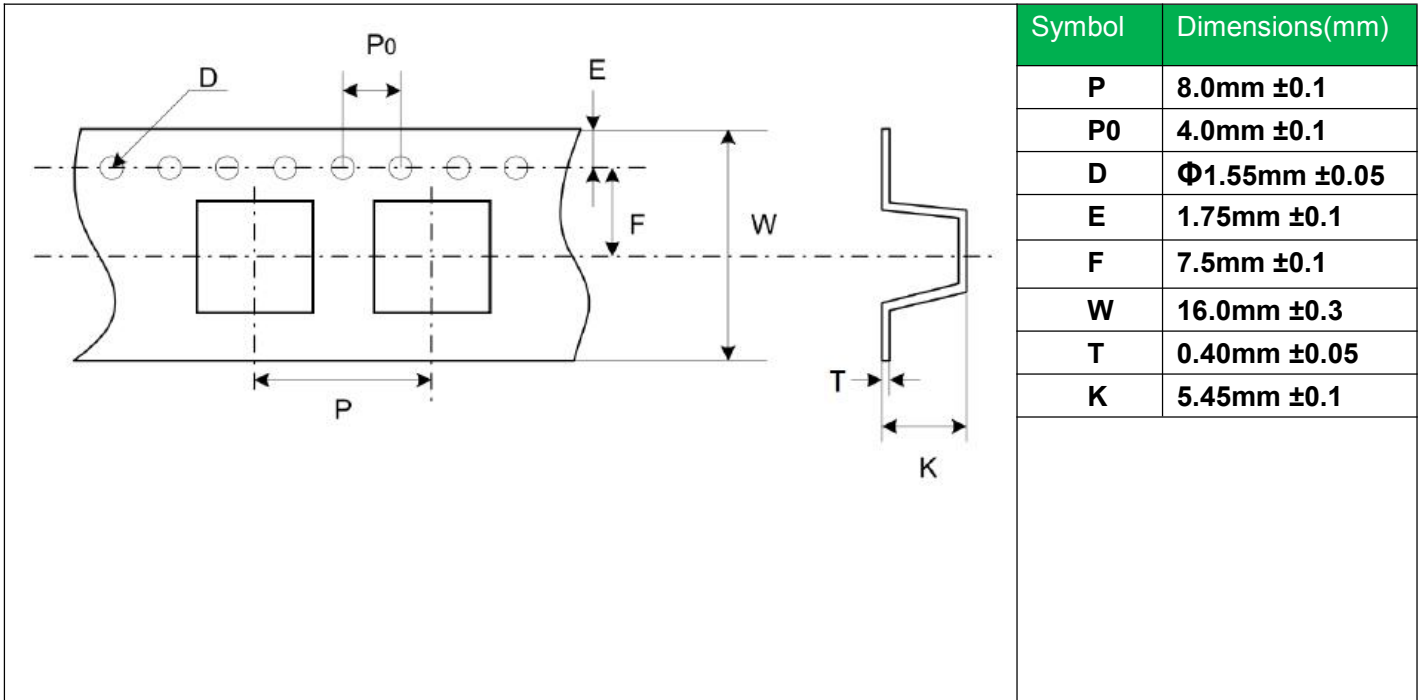
<b>HA</b>	<b>=</b>	<b>HUAAN</b>
<b>2</b>	<b>=</b>	<b>2 Electrode device</b>
<b>R</b>	<b>=</b>	<b>Gas Discharge Tube</b>
<b>5</b>	<b>=</b>	<b>5mm Diameter</b>
<b>90</b>	<b>=</b>	<b>90V</b>
<b>M</b>	<b>=</b>	<b>Low Surge 2.5KA</b>
<b>SMD</b>	<b>=</b>	<b>Surface-mount</b>

**Reflow Soldering Curve**



$T_E \text{ max}=180^\circ\text{C}$      $t_E \text{ max}=60\text{s (at } T_E \text{ max)}$   
 $T_B \text{ max}=220^\circ\text{C}$

**Tape Specification and Reel Dimensions**



**Packaging Quantity**

Part Number	Quantity	
	Per Reel	Per Carton
<b>HA2R5-xxxMSMD Series</b>	<b>1500PCS</b>	<b>12000PCS</b>