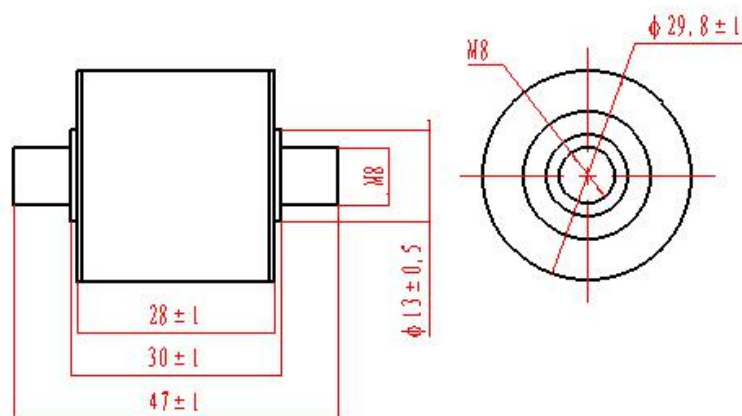
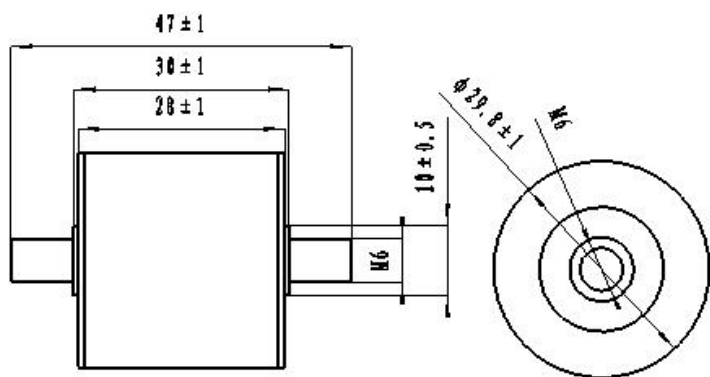


High Impulse Current Gas Discharge Tubes

100KA

1: Dimension(mm)



Electrical Characteristics

Part Number	DC Spark-over Voltage @ 100V/S	Impulse Spark-over Voltage @5KV/µs 1.2/50µs,6KV	Nominal Impulse discharge current(8/20µs)	Maximum discharge current(10/350µs)	Minimum Insulation Resistance @100v	Operation and storage temperature	Weight
	V	V	KA	KA	MΩ	°C	g
H2R30-350L	350±20%	<1200	100	100	1000	-40...+90	~80g
H2R30-500L	500±20%	<1400	100	100	1000	-40...+90	~80g
H2R30-600L	600±20%	<1500	100	100	1000	-40...+90	~80g
H2R30-800L	>600	<1500	100	50	1000	-40...+90	~80g

H2R30-350L ,H2R30-500L and H2R30-600L= M6 Lead wire
H2R30-800L = M8 Lead wire

Specifications are subject to change without notice

sales@huaandz.com