


Metal Oxide Varistors (MOV)

Features

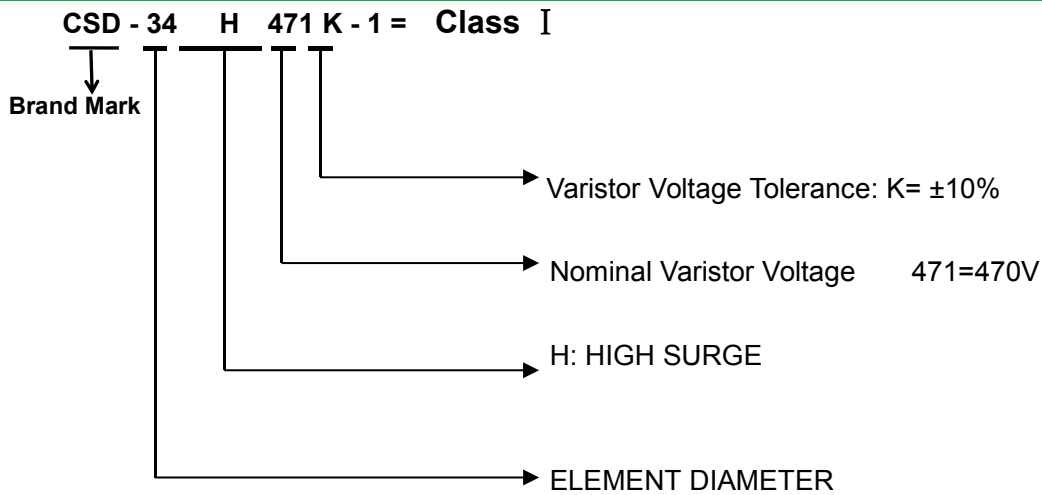
- Wide operating voltage (V1mA) range from 68V to 820V
- Fast responding to transient over-voltage
- Large absorbing transient energy capability
- Low clamping ratio and no follow-on current
- Meets MSL level 1, per J-STD-020
- Operating Temperature: -40°C ~ +85°C
- Storage Temperature: -40°C ~ +125°C
- UL 1449 4th for SPD Type 5 application
- Safety certification: 



Applications

- Transistor, diode, IC, thyristor or triac semiconductor protection
- Surge protection in consumer electronics
- Surge protection in industrial electronics
- Surge protection in electronic home appliances, gas and petroleum appliances
- Relay and electromagnetic valve surge absorption

Description of Part Number



Delivery Time

Standard MOV	Delivery Time	Standard MOV	Delivery Time
34H680K-1 ~ 34H821K-1	35days		



Electrical Characteristics

Part Number Marking	Maximum Allowable Voltage		Varistor Voltage V _{1mA} (V)	Maximum Clamping Voltage		Rated voltage Reference V	Surge Operating Duty Test IEC 61643-1 (8/20μs)		Impulse Current(10/350μs) 1time Iimp	Typical Capacitance(Reference) @1KHz pf
	V _{AC}	V _{DC}		I _P (A)	V _C (V)		I _n	I _{max}		
34H680K-1	40V	56V	68V(62~75)	300A	135V	DC12V	20KA	40KA	10KA	21500pf
34H820K-1	50V	65V	82V(74~90)	300A	135V	DC48V	20KA	40KA	10KA	17850pf
34H101K-1	60V	85V	100V(90~110)	300A	165V	DC48V	20KA	40KA	10KA	14650pf
34H121K-1	75V	100V	120V(108~132)	300A	200V	DC60V	20KA	40KA	10KA	12200pf
34H241K-1	150V	200V	240V(216~264)	300A	395V	AC125V	20KA	40KA	8KA	5650pf
34H271K-1	175V	225V	270V(243~297)	300A	455V	AC125V	20KA	40KA	8KA	5100pf
34H301K-1	190V	250V	300V(270~330)	300A	500V	AC125V	20KA	40KA	8KA	4510pf
34H331K-1	210V	275V	330V(297~363)	300A	550V	AC250V Y Connect	20KA	40KA	8KA	4150pf
34H361K-1	230V	300V	360V(324~396)	300A	595V		20KA	40KA	8KA	3750pf
34H391K-1	250V	320V	390V(351~429)	300A	650V		20KA	40KA	8KA	3500pf
34H431K-1	275V	350V	430V(387~473)	300A	710V		20KA	40KA	8KA	2950pf
34H471K-1	300V	385V	470V(423~517)	300A	775V		20KA	40KA	8KA	2880pf
34H511K-1	320V	415V	510V(459~561)	300A	845V	AC250V	20KA	40KA	8KA	2650pf
34H561K-1	350V	460V	560V(504~616)	300A	925V	AC250V	20KA	40KA	7.5KA	2450pf
34H621K-1	385V	505V	620V(558~682)	300A	1025V	AC250V	20KA	40KA	7.5KA	2200pf
34H681K-1	420V	560V	680V(612~748)	300A	1120V	AC250V	20KA	40KA	6.5KA	2000pf
34H711K-1	440V	585V	710V(644~786)	300A	1180V	AC250V	20KA	40KA	6.5KA	1950pf
34H751K-1	460V	615V	750V(675~825)	300A	1240V	AC250V	20KA	40KA	5.5KA	1820pf
34H781K-1	485V	640V	780V(702~858)	300A	1290V	AC250V	20KA	40KA	5.5KA	1750pf
34H821K-1	510V	670V	820V(738~902)	300A	1355V	AC380V or G	20KA	40KA	5KA	1650pf

Dimension(mm)

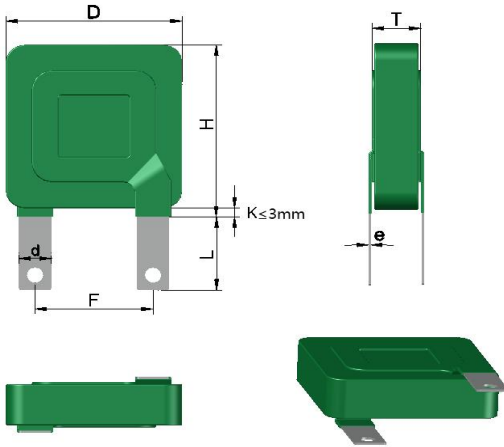


TABLE1		TABLE2	
Symbol	Dimensions	Part number	T(Max)
D(Max)	35.0mm	34H680K-1	3.01mm
H(Max)	35.6mm	34H820K-1	3.05mm
Tmax	TABLE2	34H101K-1	3.26mm
e	0.45mm	34H121K-1	3.50mm
d	7.0(±0.1mm)	34H241K-1	4.96mm
F	25.4(±1.0mm)	34H271K-1	5.39mm
L(Min)	16.5mm	34H301K-1	5.59mm
Epoxy Colour	Green	34H331K-1	5.94mm
		34H361K-1	6.29mm
		34H391K-1	6.76mm
		34H431K-1	7.10mm
		34H471K-1	7.57mm
		34H511K-1	8.03mm
		34H561K-1	8.61mm
		34H621K-1	9.31mm
		34H681K-1	8.58mm
		34H711K-1	8.91mm
		34H751K-1	9.24mm
		34H781K-1	9.53mm
		34H821K-1	8.93mm

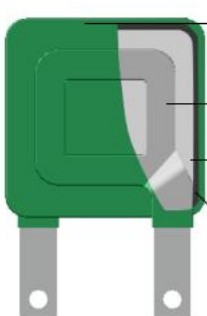
Packing Information

Part Number	Quantity	Packaging Option
34H680K-1 ~ 34H561K-1	32PCS	Foam box
34H621K-1 ~ 34H821K-1	20PCS	Foam box

Foam Box Bulk Pack



Material List

Drawing			
Material chart RoHs	Item	Composition	Manufacturer
	Coating	Epoxy Resin	Made in China, and in line with the UL 94-V0 testing, meet the environmental requirements
	Electrode Terminal	Copper sheet electrode	Made in China, meet the environmental requirements
	Electrode	Silver	Made in China, meet the environmental requirements
	Black parcel body	Zinc Oxide	Manufacturer of zinc oxide varistor
	Solder	Sn:96.5%CU 0.5%Ag3.0%	Made in China, meet the environmental requirements