
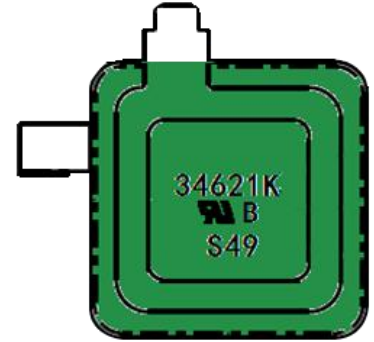


Metal Oxide Varistors (MOV)

Features

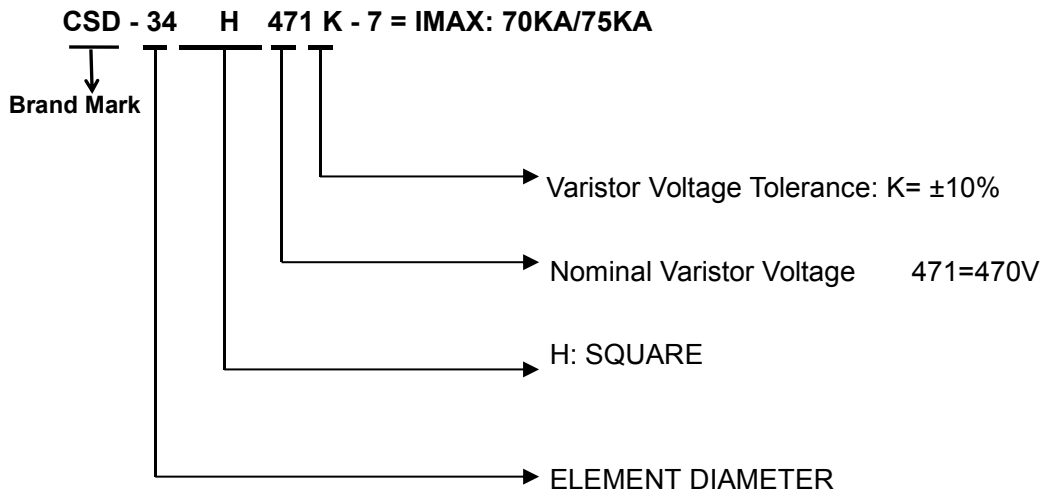
- Wide operating voltage (V_{1mA}) range from 240V to 1200V
- Fast responding to transient over-voltage
- Large absorbing transient energy capability
- Low clamping ratio and no follow-on current
- Meets MSL level 1, per J-STD-020
- Operating Temperature: -40°C ~ +85°C
- Storage Temperature: -40°C ~ +125°C
- UL 1449 4th for SPD Type 5 application
- Safety certification: 



Applications

- Transistor, diode, IC, thyristor or triac semiconductor protection
- Surge protection in consumer electronics
- Surge protection in industrial electronics
- Surge protection in electronic home appliances, gas and petroleum appliances
- Relay and electromagnetic valve surge absorption

Description of Part Number



Delivery Time

Standard MOV	Delivery Time	Standard MOV	Delivery Time
34H241K-7~34H122K-6	35days		



Electrical Characteristics

Part Number Marking	Maximum Allowable Voltage		Varistor Voltage V _{1mA} (V)	Maximum Clamping Voltage		Rated voltage Reference V	Surge Test IEC 61643-11 (8/20μs)	Operating Duty I _{max}	Maximum Energy 10/1000μs Joule	Typical Capacitance(Reference) @1KHz pf	
	V _{AC}	V _{DC}		I _p (A)	V _c (V)						I _n
34H241K-7	150V	200V	240V(222~270)	300A	395V	AC125V	30KA/35KA	70KA/75KA	480J	5650pf	
34H271K-7	180V	225V	270V(256~310)	300A	455V	AC125V	30KA/35KA	70KA/75KA	540J	5100pf	
34H301K-7	190V	250V	300V(270~330)	300A	500V	AC125V	30KA/35KA	70KA/75KA	600J	4510pf	
34H331K-7	210V	275V	330V(297~363)	300A	550V	AC250V Y Connect	30KA/35KA	70KA/75KA	656J	4150pf	
34H361K-7	230V	300V	360V(324~396)	300A	595V		30KA/35KA	70KA/75KA	745J	3750pf	
34H391K-7	250V	320V	390V(362~440)	300A	650V		30KA/35KA	70KA/75KA	830J	3500pf	
34H431K-7	275V	350V	430V(387~473)	300A	710V		30KA/35KA	70KA/75KA	920J	2950pf	
34H471K-7	300V	385V	470V(423~517)	300A	775V	AC	30KA/35KA	70KA/75KA	1000J	2880pf	
34H511K-7	320V	415V	510V(459~561)	300A	845V		AC250V	30KA/35KA	70KA/75KA	1060J	2650pf
34H561K-7	350V	460V	560V(504~616)	300A	925V		AC250V	30KA/35KA	70KA/75KA	1150J	2450pf
34H621K-7	385V	505V	620V(558~682)	300A	1025V		AC250V	30KA/35KA	70KA/75KA	1250J	2200pf
34H681K-7	420V	560V	680V(612~748)	300A	1120V	AC250V	30KA/35KA	70KA/75KA	1250J	2000pf	
34H711K-7	440V	585V	710V(644~786)	300A	1180V	AC	30KA/35KA	70KA/75KA	1280J	1950pf	
34H751K-7	460V	615V	750V(675~825)	300A	1240V		30KA	75KA	1280J	1820pf	
34H781K-7	485V	640V	780V(702~858)	300A	1290V		30KA	75KA	1350J	1750pf	
34H821K-7	510V	670V	820V(738~902)	300A	1355V		30KA	75KA	1395J	1650pf	
34H911K-6	550V	745V	910V(819~1001)	300A	1500V	AC380V or G	25KA	65KA	1475J	1500pf	
34H951K-6	575V	760V	950V(855~1045)	300A	1570V	AC380V or G	25KA	65KA	1485J	1430pf	
34H102K-6	625V	825V	1000V(900~1100)	300A	1650V	AC380V or G	25KA	65KA	1550J	1360pf	
34H112K-6	680V	895V	1100V(990~1210)	300A	1815V	AC380V or G	25KA	65KA	1650J	1250pf	
34H122K-6	750V	980V	1200V(1080~1320)	300A	1980V	AC380V or G	25KA	65KA	1750J	1150pf	

Dimension(mm)



1.1	APPEARANCE		Without Any Crack, Marking Should be Clear	
1.2	DIMENSIONS (mm)			
A (±0.5)	34.5mm	B(±0.5)	34.5mm	
C(±1)	43mm	D(±1)	6mm	
E (±0.1)	8.0mm	e (±0.05)	0.5mm	

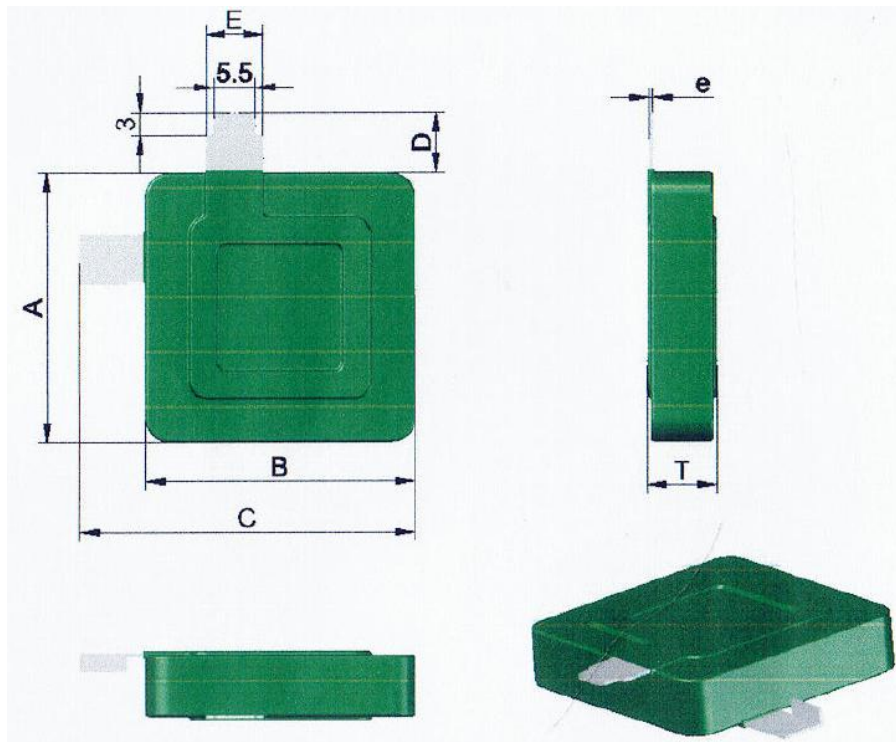
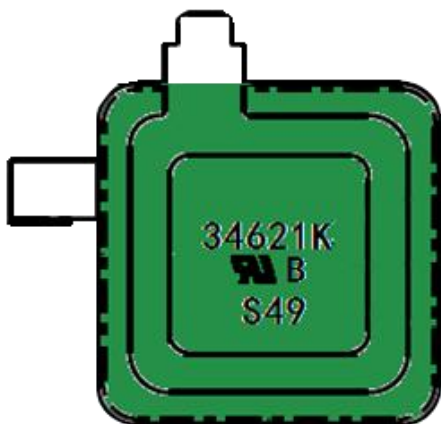


TABLE2	
Part number	T(±1.0mm)
34H241K-7	3.80mm
34H271K-7	4.05mm
34H301K-7	4.17mm
34H331K-7	4.38mm
34H361K-7	4.58mm
34H391K-7	4.87mm
34H431K-7	5.07mm
34H471K-7	5.34mm
34H511K-7	5.62mm
34H561K-7	5.96mm
34H621K-7	6.38mm
34H681K-7	6.79mm
34H711K-7	7.03mm
34H751K-7	7.27mm
34H781K-7	7.48mm
34H821K-7	7.76mm
34H911K-6	8.38mm
34H951K-6	8.65mm
34H102K-6	9.01mm
34H112K-6	9.10mm
34H122K-6	9.20mm

Marking



Packing Information



Part Number	Quantity	Packaging Option
34H241K-7 ~ 34H561K-7	32PCS	Foam box
34H621K-7 ~ 34H122K-6	20PCS	Foam box

Foam Box Bulk Pack

