

Metal Oxide Varistors (MOV)



Features

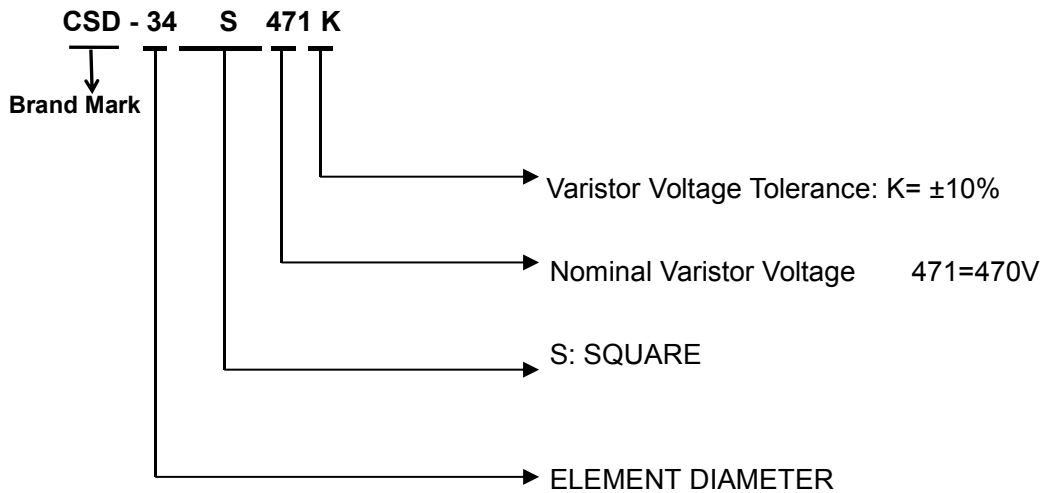
- Wide operating voltage (V<sub>1mA</sub>) range from 47V to 1800V
- Fast responding to transient over-voltage
- Large absorbing transient energy capability
- Low clamping ratio and no follow-on current
- Meets MSL level 1, per J-STD-020
- Operating Temperature: -40°C ~ +85°C
- Storage Temperature: -40°C ~ +125°C
- UL 1449 4th for SPD Type 5 application
- Safety certification:



Applications

- Transistor, diode, IC, thyristor or triac semiconductor protection
- Surge protection in consumer electronics
- Surge protection in industrial electronics
- Surge protection in electronic home appliances, gas and petroleum appliances
- Relay and electromagnetic valve surge absorption

Description of Part Number



Delivery Time

Standard MOV	Delivery Time	Standard MOV	Delivery Time
34S470K~34S182K	32days		



## Electrical Characteristics

Part Number Marking	Maximum Allowable Voltage		Varistor Voltage V <sub>1mA</sub> (V)	Maximum Clamping Voltage		Rated voltage Reference V	Surge Operating Duty Test IEC 61643-11 (8/20μs)		Maximum Energy 10/1000μs Joule	Typical Capacitance (Reference) @1KHz pf
	V <sub>AC</sub>	V <sub>DC</sub>		I <sub>p</sub> (A)	V <sub>c</sub> (V)		I <sub>n</sub>	I <sub>max</sub>		
34S470K	30V	38V	47V(42~52)	60A	93V	DC24V	10KA	20KA	96J	35000pf
34S560K	35V	45V	56V(50~63)	60A	110V	DC24V	10KA	20KA	115J	29500pf
34S680K	40V	56V	68V(61~75)	60A	135V	DC24V	10KA	20KA	136J	24200pf
34S820K	50V	65V	82V(74~90)	300A	135V	DC48V	10KA	20KA	156J	17950pf
34S101K	60V	85V	100V(90~110)	300A	165V	DC48V	20KA	50KA	195J	15000pf
34S121K	75V	100V	120V(108~132)	300A	200V	DC60V	20KA	50KA	235J	12200pf
34S151K	95V	125V	150V(135~165)	300A	250V	DC60V	20KA	50KA	296J	10000pf
34S181K	115V	150V	180V(162~198)	300A	300V	AC100V	20KA	50KA	350J	8250pf
34S201K	130V	170V	200V(185~225)	300A	340V	AC125V	20KA	50KA	400J	6750pf
34S221K	140V	180V	220V(198~242)	300A	360V	AC125V	20KA	50KA	450J	6400pf
34S241K	150V	200V	240V(222~270)	300A	395V	AC125V	20KA	50KA	480J	5650pf
34S271K	180V	225V	270V(256~310)	300A	455V	AC125V	20KA	50KA	540J	5100pf
34S301K	190V	250V	300V(270~330)	300A	500V	AC125V	20KA	50KA	600J	4510pf
34S331K	210V	275V	330V(297~363)	300A	550V	AC250V	20KA	50KA	656J	4150pf
34S361K	230V	300V	360V(324~396)	300A	595V	Telephone	20KA	50KA	745J	3750pf
34S391K	250V	320V	390V(362~440)	300A	650V	test	20KA	50KA	830J	3500pf
34S431K	275V	350V	430V(387~473)	300A	710V	AC250V	20KA	50KA	920J	2950pf
34S471K	300V	385V	470V(423~517)	300A	775V	AC250V	20KA	50KA	1000J	2880pf
34S511K	320V	415V	510V(459~561)	300A	845V	AC250V	20KA	50KA	1060J	2650pf
34S561K	350V	460V	560V(504~616)	300A	925V	AC250V	20KA	50KA	1150J	2450pf
34S621K	385V	505V	620V(558~682)	300A	1025V	AC250V	20KA	50KA	1250J	2200pf
34S681K	420V	560V	680V(612~748)	300A	1120V	AC250V	20KA	50KA	1250J	2000pf
34S711K	440V	585V	710V(644~786)	300A	1180V	AC250V	20KA	50KA	1280J	1950pf
34S751K	460V	615V	750V(675~825)	300A	1240V	AC250V	20KA	45KA	1280J	1820pf
34S781K	485V	640V	780V(702~858)	300A	1290V	AC250V	20KA	45KA	1350J	1750pf
34S821K	510V	670V	820V(738~902)	300A	1355V	AC380V or G	20KA	45KA	1395J	1650pf
34S911K	550V	745V	910V(819~1001)	300A	1500V	AC380V or G	20KA	45KA	1475J	1500pf
34S951K	575V	760V	950V(855~1045)	300A	1570V	AC380V or G	20KA	45KA	1485J	1430pf
34S102K	625V	825V	1000V(900~1100)	300A	1650V	AC380V or G	20KA	45KA	1550J	1350pf
34S112K	680V	895V	1100V(990~1210)	300A	1815V	AC380V or G	20KA	45KA	1700J	1230pf
34S122K	750V	980V	1200V(1150~1320)	300A	1980V	AC380V or G	20KA	45KA	1750J	1135pf
34S142K	850V	1120V	1400V(1315~1540)	300A	2310V	AC380V or G	15KA	40KA	1750J	970pf
34S162K	1000V	1320V	1600V(1550~1760)	300A	2640V	AC380V or G	15KA	40KA	2000J	840pf
34S182K	1100V	1465V	1800V(1700~1980)	300A	2970V	AC380V or G	15KA	40KA	2000J	800pf

Dimension(mm)



1.1	APPEARANCE	Without Any Crack, Marking Should be Clear	
1.2	DIMENSIONS (mm)		
D(Max)	35mm	H(Max)	35mm
e	0.45mm(±0.05mm)	d	8.2(±0.3mm)
F		L(Min)	13.5mm

Dimensions	
Part number	T (max)
34S241K	3.9mm
34S271K	4.1mm
34S301K	4.3mm
34S331K	4.5mm
34S361K	4.7mm
34S391K	4.9mm
34S431K	5.1mm
34S471K	5.3mm
34S511K	5.5mm
34S561K	5.7mm
34S621K	5.9mm
34S681K	6.1mm
34S711K	6.3mm
34S751K	6.5mm
34S781K	6.7mm
34S821K	6.9mm
Polar surface material: Silve	
Epoxy Colour :Green	

Packing Information



Quantity	34S241K ~ 34S821K		32PCS/box	
Packing Dimension		LP	255mm(max)	
		HP	60mm(max)	
		WP	195mm(max)	

Material List

Drawing			
Material chart RoHs	Item	Composition	Manufacturer
	Coating	Epoxy Resin	Made in China, and in line with the UL 94-V0 testing, meet the environmental requirements
	Electrode Terminal	Copper sheet electrode	Made in China, meet the environmental requirements
	Electrode	Silver	Made in China, meet the environmental requirements
	Black parcel body	Zinc Oxide	Manufacturer of zinc oxide varistor
	Solder	Sn:96.5%CU 0.5%Ag3.0%	Made in China, meet the environmental requirements