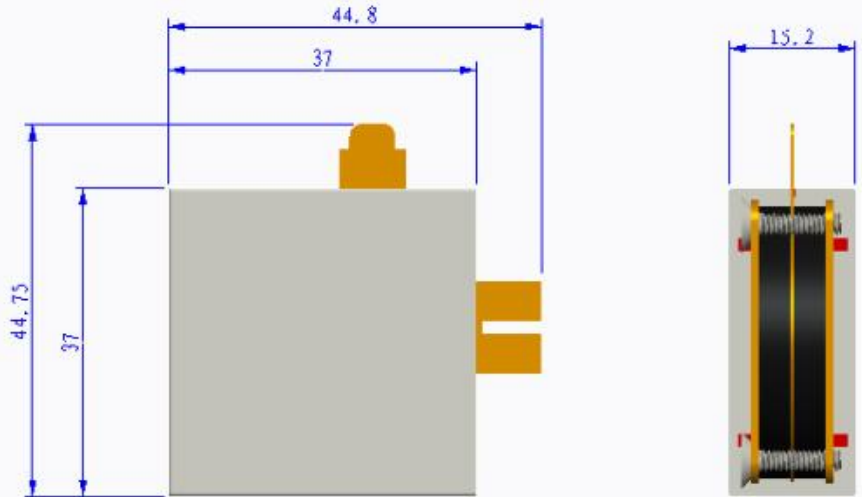
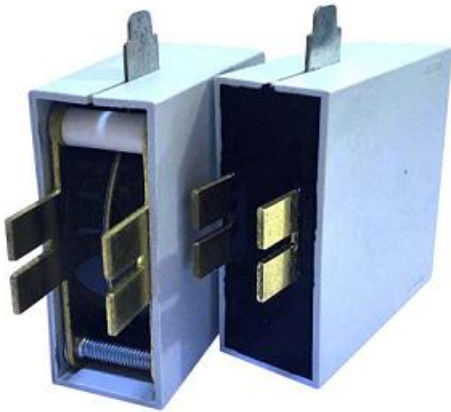


Fastening Varistors

Picture



Specification

Part Number	Maximum Allowable Voltage		Varistor Voltage V _{1mA} (V)	Max Clamping Voltage V _{C AT 300A}	Rated Voltage reference	8/20μs peak Current		10/350μs peak Current	Maximum Energy (10/1000μs) (J)	Typical Capacitance (Reference) 1KHz(pf)
	V _{AC}	V _{DC}				I _n	I _{max}	I _{imp}		
33O820KA1	50V	65V	82V(74~90)	135V	DC 48V	40KA	80KA	12.5KA	265J	35600pf
33O101KA1	60V	85V	100V(90~110)	165V	DC 48V	40KA	80KA	12.5KA	332J	30000pf
33O121KA1	75V	100V	120V(108~132)	200V	DC 60V	40KA	80KA	12.5KA	400J	24400pf
33O241KA1	150V	200V	240V(222~270)	395V	AC 125V	50KA	100KA	12.5KA	816J	11400pf
33O271KA1	180V	225V	270V(256~310)	455V	AC 125V	50KA	100KA	12.5KA	918J	10200pf
33O331KA1	210V	275V	330V(297~363)	550V	AC 250V	50KA	100KA	12.5KA	1105J	8300pf
33O361KA1	230V	300V	360V(324~396)	595V	Telephone test	50KA	100KA	12.5KA	1267J	7500pf
33O391KA1	250V	320V	390V(371~449)	650V	Telephone test	50KA	100KA	12.5KA	1411J	7000pf
33O431KA1	275V	350V	430V(410~496)	710V	AC 250V	50KA	100KA	12.5KA	1564J	5900pf
33O471KA1	300V	385V	470V(423~517)	775V	AC 250V	50KA	100KA	12.5KA	1700J	5700pf
33O511KA1	320V	415V	510V(459~561)	845V	AC 250V	50KA	100KA	12.5KA	1802J	5300pf
33O561KA1	350V	460V	560V(504~616)	925V	AC 250V	50KA	100KA	12.5KA	1955J	4900pf
33O621KA1	385V	505V	620V(558~682)	1025V	AC 250V	50KA	100KA	12.5KA	2125J	4400pf