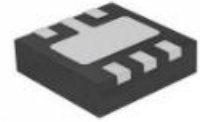


Ultra Low Capacitance TVS Diode Array



APPLICATION

- ◆ USB 2.0 and USB OTG
- ◆ Multi-Media Card Interfaces
- ◆ SD Card Interfaces
- ◆ MDDI Ports
- ◆ SIM Ports



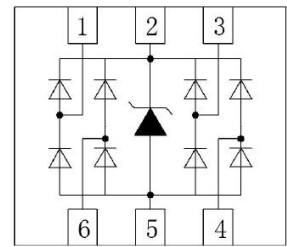
IEC COMPATIBILITY

Package: DFN2020-6

- ◆ IEC61000-4-2 (ESD) ±20kV (air), ±15kV (contact)
- ◆ IEC61000-4-5 (Lightning) 5A (8/20µs)

FEATURES

- ◆ Ultra low capacitance: 0.3pF typical (I/O to I/O)
- ◆ Ultra low leakage: nA level
- ◆ Working voltage: 5V
- ◆ Low clamping voltage
- ◆ Up to 4 data lines and one power line protects

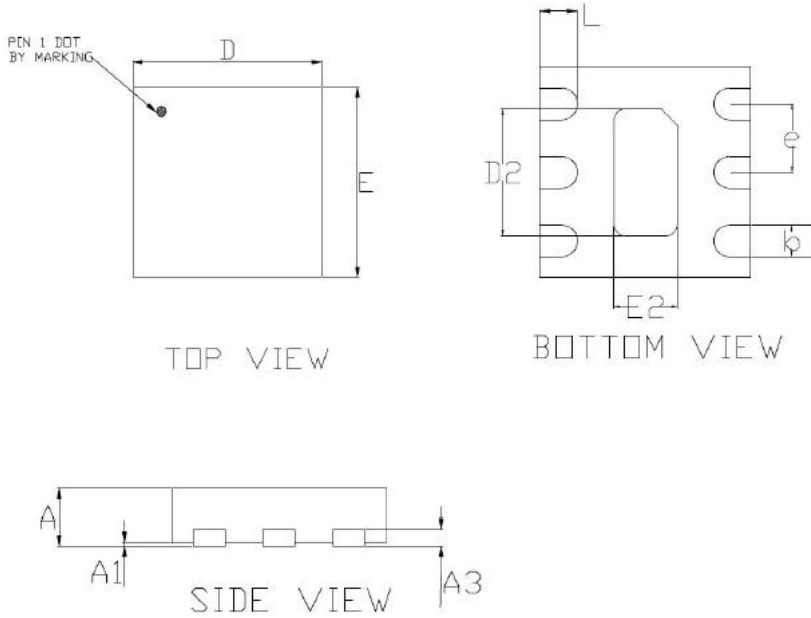


Electrical Characteristics

Parameter	Symbol	Value	Unit
Peak Pulse Power (tp=8/20µs waveform)	P _{ppp}	75	W
Peak Pulse Current (8/20µs)	I _{pp}	5	A
ESD per IEC 61000-4-2 (Air)	V _{ESD}	±20	kV
ESD per IEC 61000-4-2 (Contact)		±15	
Operating Temperature Range	T _J	-55 to +125	°C
Storage Temperature Range	T _{stg}	-55 to +150	°C

Part Number	VRWM	VBR	IR (max)	Co Max value	Vc @1A Max	Vc @ A Max	Ipp@8/20us	Ppp 8/20us	Delivery Time
	V	V	(µA)	pF	V	V	A max	W	Days
HAH0515P4	5	6	0.5	0.8	10	15	5	75	7days

Package Mechanical Data



SYM	DIMENSIONS		
	MILLIMETERS		
	MIN	NOM	MAX
A	0.70	0.75	0.80
A1	0.00	-	0.05
A3	0.20REF		
D	1.95	2.00	2.05
E	1.95	2.00	2.05
D2	1.05	1.20	1.30
E2	0.45	0.60	0.70
b	0.25	0.30	0.35
L	0.25	0.35	0.45
e	0.65BSC		

Ordering Information

Part Number	Qty per Reel	Reel Size	Package	Delivery Time
HAH0515P4	3000pcs	7inch	DFN2020-6	7days

Specifications are subject to change without notice

2

Tel: +86-755-27465585

HUAAN LIMITED

www.huaandz.com

Email: sales@huaandz.com