

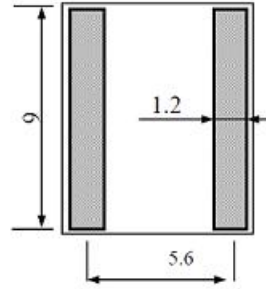
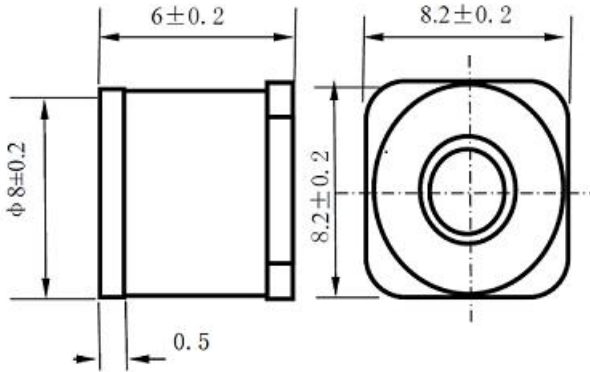
## 2-Electrode High Voltage Gas Discharge Tubes

3KA

Surface Mount



### 1: Dimension(mm)



### 2: Main Applications

- PCI Cards protection
- Telephone/Fax/Modem protection
- single line protection
- ADSL/XDSL Splitter, Power Supply
- Surge Protection Device/Surge Protector

### 3: Features

- 100% Lead-Free (RoHS Compliant)
- Non-Radioactive
- Low capacitance: ≤1pF
- Small size : Φ8x6(mm)
- Safety certification:

### 4 Electrical Characteristics

Part Number	DC Spark-over Voltage	Impulse Spark-over Voltage	Insulation Resistance	Impulse discharge current 8/20μs		Capacitance 1MHz	AC discharge current 50Hz, 1s	Delivery time	UL Certificate
	@100V/S	@1KV/μs	GΩ	10 Times	1 Time	pF	10times	days	UL1449
H2R8-800L	800V ±20%	≤1400V	>1GΩ	5KA	10KA	≤1pF	5A	12days	√
H2R8-1000L	1000V ±20%	≤ 1700V	>1GΩ	3KA	10KA	≤1pF	3A	12days	√
H2R8-1200L	1200V ±20%	≤ 1900V	>1GΩ	3KA	10KA	≤1pF	3A	12days	√
H2R8-1500L	1500V ±20%	≤ 2200V	>1GΩ	3KA	10KA	≤1pF	3A	12days	√
H2R8-2000L	2000V ±20%	≤ 2700V	>1GΩ	3KA	10KA	≤1pF	3A	12days	√
H2R8-2100L	2100V ±20%	≤ 3100V	>1GΩ	3KA	10KA	≤1pF	3A	12days	√
H2R8-2400L	2400V ±20%	≤ 3400V	>1GΩ	3KA	10KA	≤1pF	3A	12days	√
H2R8-2500L	2500V ±20%	≤ 3500V	>1GΩ	3KA	10KA	≤1pF	3A	12days	√
H2R8-2700L	2700V ±20%	≤ 3700V	>1GΩ	3KA	10KA	≤1pF	3A	12days	√
H2R8-3000L	3000V ±20%	≤ 4000V	>1GΩ	3KA	10KA	≤1pF	3A	12days	√
H2R8-3100L	3100V ±20%	≤ 4100V	>1GΩ	3KA	10KA	≤1pF	3A	12days	√
HA2R3600L	3600V ±20%	≤ 4600V	>1GΩ	3KA	10KA	≤1pF	3A	12days	√
H2R8-4000L	4000V ±20%	≤ 5000V	>1GΩ	3KA	10KA	≤1pF	3A	12days	√

## 2-Electrode High Voltage Gas Discharge Tubes

3KA

1:At delivery AQL 0.65 leave II Military Standard 105 E

2:In ionized mode

3:Test according to ITU-T Rec.k.12

### Environmental resistance

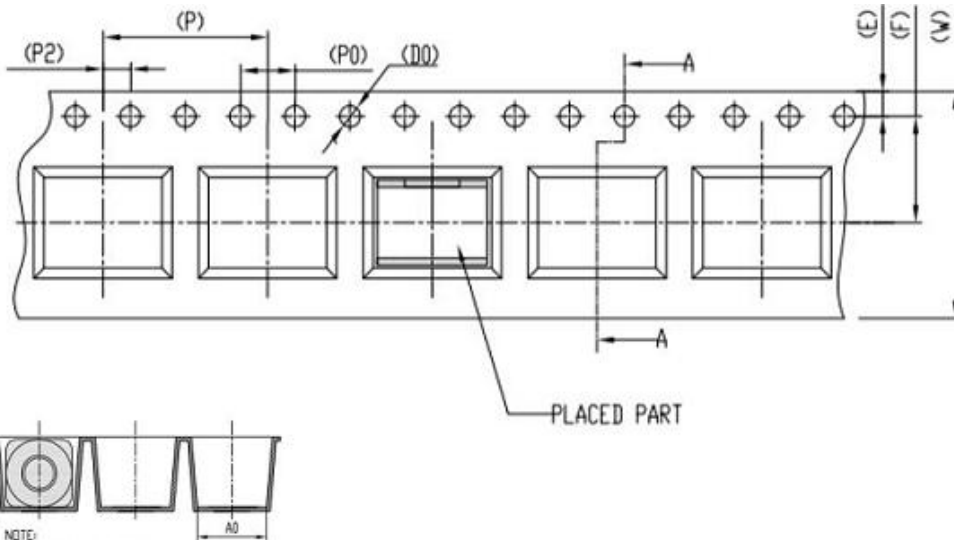
Storage temperature:	-40°C---+90°C
Operating temperature:	-40°C---+90°C
Electrode:	Tin Plated

### Example Part Number: H2R8-3600L

H	=	Brand
2	=	2 Electrode device
R	=	Gas Discharge Tube
8	=	8mm Diameter
3600	=	3600V
L	=	Surface-mount

### Tape Specification and Reel Dimensions

Symbol	Dimensions(mm)
W	16.0mm ±0.3
E	1.75mm ±0.1
F	7.5mm ±0.1
T	0.50mm ±0.05
P	12.0mm ±0.1
P0	4.0mm ±0.1
P2	2.0mm ±0.1
D0	Φ1.5mm ±0.1
A0	8.60mm ±0.1
K0	8.50mm ±0.1
B0	6.4mm ±0.1



### Packaging Quantity

Part Number	Quantity	
	Per Tray	Per Carton
H2R8-xxxL Series	500PCS	4000PCS