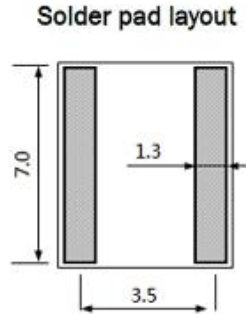
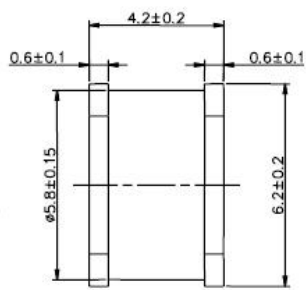
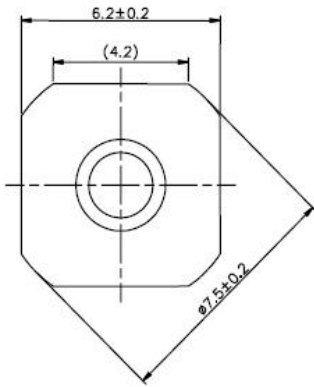


## 2-Electrode Gas Discharge Tubes

### 1: Dimension(mm)

5KA  
Surface Mount



### 2: Main Applications

- PCI Cards protection
- Telephone/Fax/Modem protection
- single line protection
- ADSL/XDSL Splitter, Power Supply
- Surge Protection Device/Surge Protector

### 3: Features

- 100% Lead-Free (RoHS Compliant)
- Non-Radioactive
- Low capacitance: ≤1pF
- Small size : Φ6.2x4.2mm
- Safety certification: File number: E505240

### 4 Electrical Characteristics

Part Number	DC Spark-over Voltage	Impulse Spark-over Voltage	Impulse Spark-over Voltage	Insulation Resistance	Impulse discharge current 8/20μs	Impulse Life 300 hits	AC discharge current 50Hz, 1s	Delivery time	UL Certificate
	@100V/S	@100V/μs	@1KV/μs	GΩ	10 Times	10x1000μs	10times	days	UL497B
HA2R6-75HSMD	75V ±20%	≤500V	≤ 600V	>1GΩ	5KA	100A	5A	14days	E505240
HA2R6-90HSMD	90V ±20%	≤500V	≤ 600V	>1GΩ	5KA	100A	5A	14days	E505240
HA2R6-140HSMD	140V±20%	≤500V	≤ 600V	>1GΩ	5KA	100A	5A	14days	E505240
HA2R6-150HSMD	150V±20%	≤500V	≤ 600V	>1GΩ	5KA	100A	5A	14days	E505240
HA2R6-200HSMD	200V±20%	≤600V	≤ 700V	>1GΩ	5KA	100A	5A	14days	E505240
HA2R6-230HSMD	230V±20%	≤600V	≤ 700V	>1GΩ	5KA	100A	5A	14days	E505240
HA2R6-250HSMD	250V±20%	≤600V	≤ 700V	>1GΩ	5KA	100A	5A	14days	E505240
HA2R6-260HSMD	260V±20%	≤700V	≤ 800V	>1GΩ	5KA	100A	5A	14days	E505240
HA2R6-300HSMD	300V±20%	≤800V	≤ 900V	>1GΩ	5KA	100A	5A	14days	E505240
HA2R6-350HSMD	350V±20%	≤900V	≤ 1000V	>1GΩ	5KA	100A	5A	14days	E505240
HA2R6-400HSMD	400V±20%	≤900V	≤ 1000V	>1GΩ	5KA	100A	5A	14days	E505240
HA2R6-420HSMD	420V±20%	≤900V	≤ 1000V	>1GΩ	5KA	100A	5A	14days	E505240
HA2R6-470HSMD	470V±20%	≤1100V	≤ 1200V	>1GΩ	5KA	100A	5A	14days	E505240
HA2R6-500HSMD	500V±20%	≤1100V	≤ 1200V	>1GΩ	5KA	100A	5A	14days	E505240
HA2R6-600HSMD	600V±20%	≤1300V	≤1400V	>1GΩ	5KA	100A	5A	14days	E505240

## 2-Electrode Gas Discharge Tubes

2.5KA

Part Number	DC Spark-over Voltage @100V/S	Impulse Spark-over Voltage @100V/μs	Impulse Spark-over Voltage @1KV/μs	Insulation Resistance GΩ	Impulse discharge current 8/20μs 10 Times	Impulse Life 300 hits 10x1000μs	AC discharge current 50Hz, 1s 10times	Delivery time days	UL Certificate UL497B
HA2R6-800HSMD	800V ±20%	≤1300V	≤ 1400V	>1GΩ	2.5KA	100A	2.5A	14days	---
HA2R6-900HSMD	900V ±20%	≤1400V	≤ 1500V	>1GΩ	2.5KA	100A	2.5A	14days	---
HA2R6-1000HSMD	1000V ±20%	≤1600V	≤ 1700V	>1GΩ	2.5KA	100A	2.5A	14days	---
HA2R6-1200HSMD	1200V±20%	≤1900V	≤ 2000V	>1GΩ	2.5KA	100A	2.5A	14days	---

1:At delivery AQL 0.65 leave II Military Standard 105 E

2:In ionized mode

3:Test according to ITU-T Rec.k.12

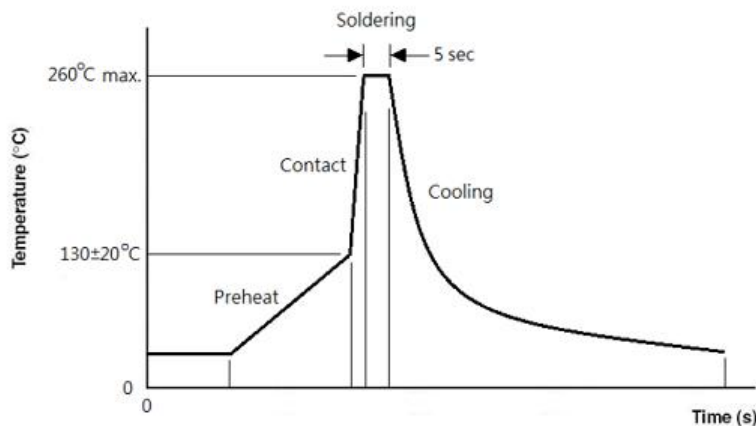
### Environmental resistance

Storage temperature:	-40°C---+90°C
Operating temperature:	-40°C---+90°C
Electrode:	Tin Plated

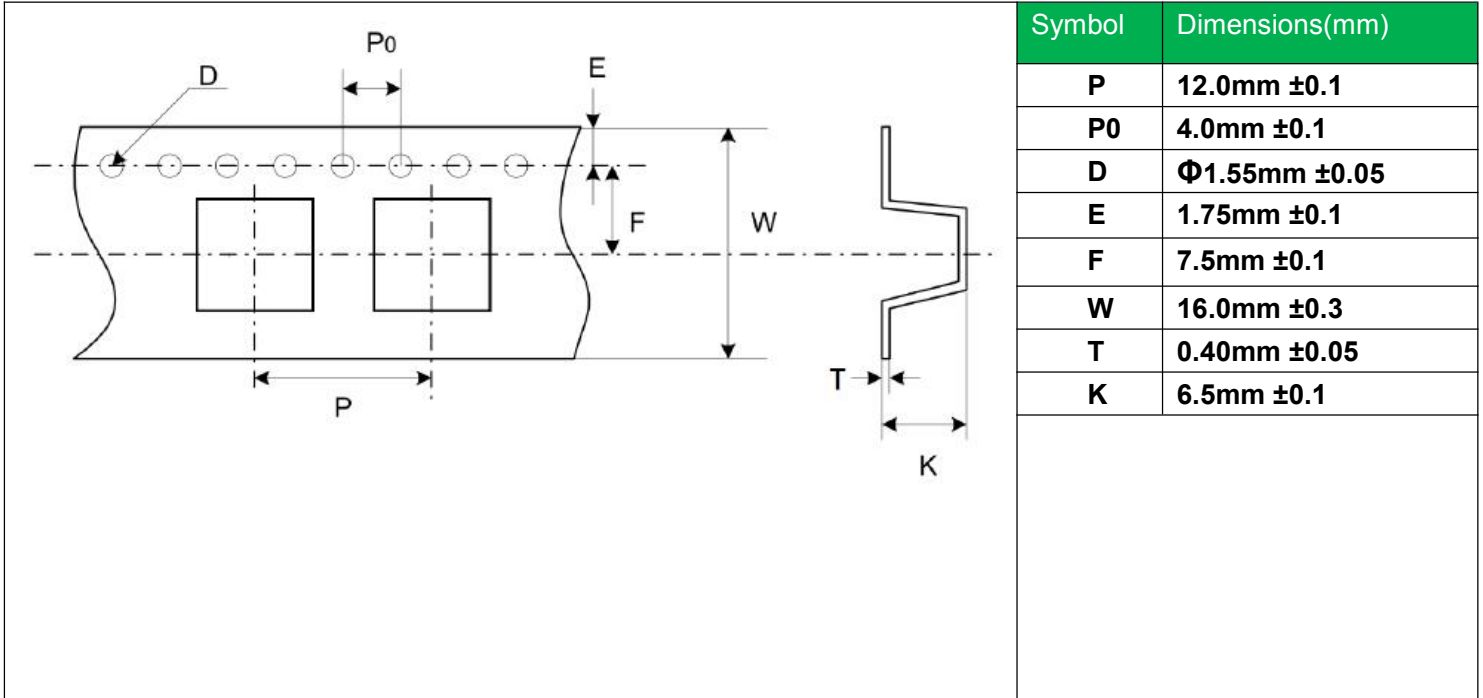
### Example Part Number: HA2R6-90HSMD

HA	=	HUAAN
2	=	2 Electrode device
R	=	Gas Discharge Tube
6	=	6mm Diameter
90	=	90V
H	=	Low Surge 5KA GDT
SMD	=	Surface-mount

### Reflow Soldering Curve



**Tape Specification and Reel Dimensions**



**Packaging Quantity**

Part Number	Quantity	
	Per Reel	Per Carton
<b>HA2R6-xxxHSMD Series</b>	<b>750PCS</b>	<b>6000PCS</b>