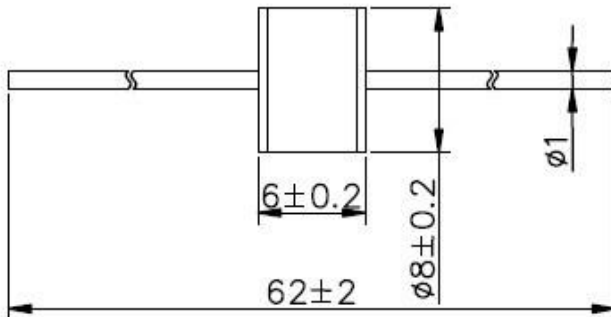


2-Electrode Gas Discharge Tubes

20KA

1: Dimension(mm)

Low Impulse Spark over Voltage



2: Main Applications

- PCI Cards protection
- Telephone/Fax/Modem protection
- single line protection
- ADSL/XDSL Splitter, Power Supply
- Surge Protection Device/Surge Protector

3: Features

- 100% Lead-Free (RoHS Compliant)
- Non-Radioactive
- Low capacitance: ≤1pF
- Small size : Φ8x6(mm)
- Safety certification: File number: E505240

4 Electrical Characteristics

Part Number	DC Spark-over Voltage	Impulse Spark-over Voltage @1KV/μs		Insulation Resistance GΩ	Impulse discharge current 8/20μs 10 Times	AC discharge current 50Hz, 1s 10times	Delivery time days	UL Certificate UL497B
		@100V/μs	@1KV/μs					
	@100V/S							
HA2R8-200HE	200V ±20%	≤350V	≤ 450V	>1GΩ	20KA	20A	14days	E505240
HA2R8-230HE	230V ±20%	≤450V	≤ 500V	>1GΩ	20KA	20A	14days	E505240
HA2R8-300HE	300V ±20%	≤600V	≤ 700V	>1GΩ	20KA	20A	14days	E505240
HA2R8-350HE	350V ±20%	≤700V	≤ 800V	>1GΩ	20KA	20A	14days	E505240
HA2R8-420HE	420V ±20%	≤750V	≤ 800V	>1GΩ	20KA	20A	14days	E505240
HA2R8-470HE	470V ±20%	≤750V	≤ 800V	>1GΩ	20KA	20A	14days	E505240
HA2R8-500HE	500V ±20%	≤750V	≤ 850V	>1GΩ	20KA	20A	14days	E505240
HA2R8-600HE	600V ±20%	≤900V	≤1000V	>1GΩ	20KA	20A	14days	E505240
HA2R8-800HE	800V ±20%	≤1200V	≤1300V	>1GΩ	20KA	20A	14days	√

2-Electrode Gas Discharge Tubes

20KA

1:At delivery AQL 0.65 leave II Military Standard 105 E

2:In ionized mode

3:Test according to ITU-T Rec.k.12

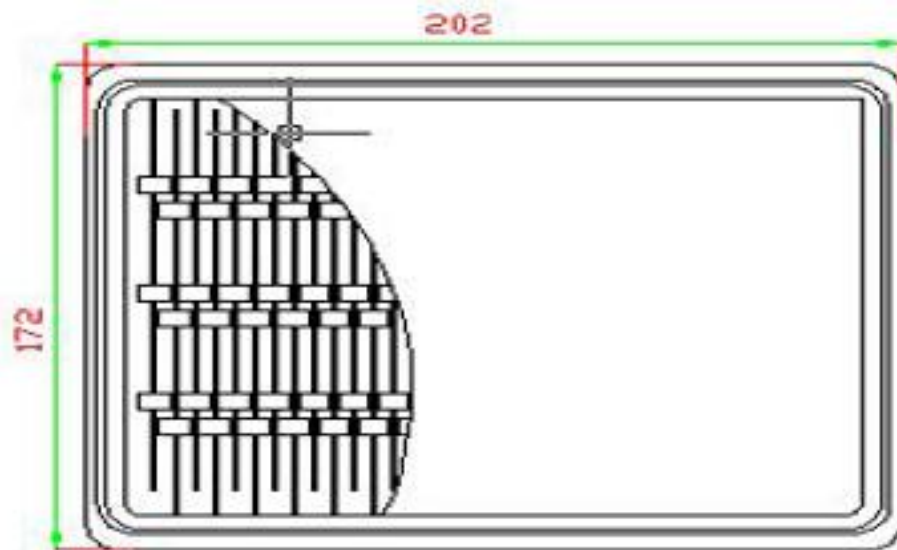
Environmental resistance

Storage temperature:	-40°C---+90°C
Operating temperature:	-40°C---+90°C
Electrode:	Tin Plated

Example Part Number: HA2R8-230HE

HA	=	HUAAN
2	=	2 Electrode device
R	=	Gas Discharge Tube
8	=	8mm Diameter
230	=	230V
H	=	High Surge 20KA
E	=	Low Impulse Spark over Voltage

Packaging Information



Packaging Quantity

Part Number	Quantity	
	Per Tray	Per Carton
HA2R8-xxxHE Series	100PCS	5000PCS