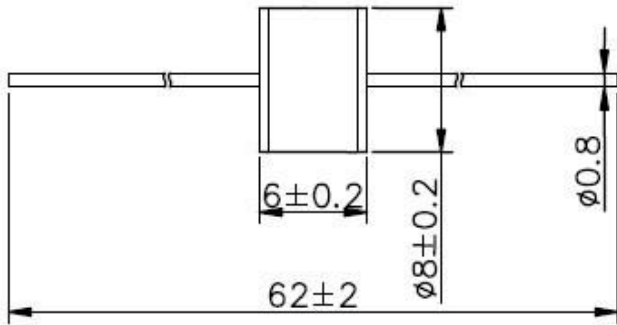


2-Electrode Gas Discharge Tubes

5KA

1: Dimension(mm)

Low Impulse Spark over Voltage



2:Main Applications	3:Features
<ul style="list-style-type: none"> •PCI Cards protection •Telephone/Fax/Modem protection •single line protection •ADSL/XDSL Splitter,Power Supply •Surge Protection Device/Surge Protector 	<ul style="list-style-type: none"> •100% Lead-Free(RoHS Compliant) •Non-Radioactive •Low capacitance: ≤1pF •Small size :Φ8x6(mm) •Safety certification: File number: E505240

4 Electrical Characteristics

Part Number	DC Spark-over Voltage	Impulse Spark-over Voltage @1KV/μs		Insulation Resistance GΩ	Impulse discharge current 8/20μs 10 Times	AC discharge current 50Hz,1s 10times	Delivery time days	UL Certificate UL497B
	@100V/S	@100V/μs	@1KV/μs					
HA2R8-200LE	200V ±20%	≤350V	≤ 450V	>1GΩ	5KA	5A	14days	E505240
HA2R8-230LE	230V ±20%	≤450V	≤ 500V	>1GΩ	5KA	5A	14days	E505240
HA2R8-300LE	300V ±20%	≤600V	≤ 700V	>1GΩ	5KA	5A	14days	E505240
HA2R8-350LE	350V ±20%	≤700V	≤ 800V	>1GΩ	5KA	5A	14days	E505240
HA2R8-420LE	420V ±20%	≤750V	≤ 800V	>1GΩ	5KA	5A	14days	E505240
HA2R8-470LE	470V ±20%	≤750V	≤ 800V	>1GΩ	5KA	5A	14days	E505240
HA2R8-500LE	500V ±20%	≤750V	≤ 850V	>1GΩ	5KA	5A	14days	E505240
HA2R8-600LE	600V ±20%	≤900V	≤1000V	>1GΩ	5KA	5A	14days	E505240
HA2R8-800LE	800V ±20%	≤1200V	≤1300V	>1GΩ	5KA	5A	14days	√
HA2R8-900LE	900V ±20%	≤1300V	≤ 1400V	>1GΩ	5KA	5A	14days	---
HA2R8-1000LE	1000V ±20%	≤1400V	≤ 1500V	>1GΩ	5KA	5A	14days	√
HA2R8-1200LE	1200V ±20%	≤1500V	≤ 1600V	>1GΩ	5KA	5A	14days	√

2-Electrode Gas Discharge Tubes

5KA

1:At delivery AQL 0.65 leave II Military Standard 105 E

2:In ionized mode

3:Test according to ITU-T Rec.k.12

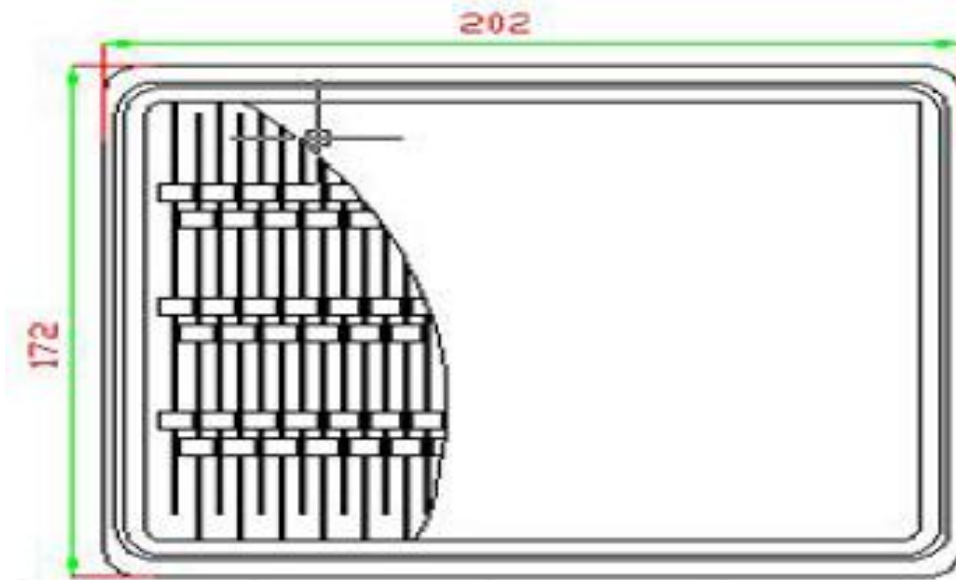
Environmental resistance

Storage temperature:	-40°C---+90°C
Operating temperature:	-40°C---+90°C
Electrode:	Tin Plated

Example Part Number: HA2R8-230LE

HA	=	HUAAN
2	=	2 Electrode device
R	=	Gas Discharge Tube
8	=	8mm Diameter
230	=	230V
L	=	Low Surge 5KA
E	=	Low Impulse Spark over Voltage

Packaging Information



Packaging Quantity

Part Number	Quantity	
	Per Tray	Per Carton
HA2R8-xxxLE Series	100PCS	5000PCS