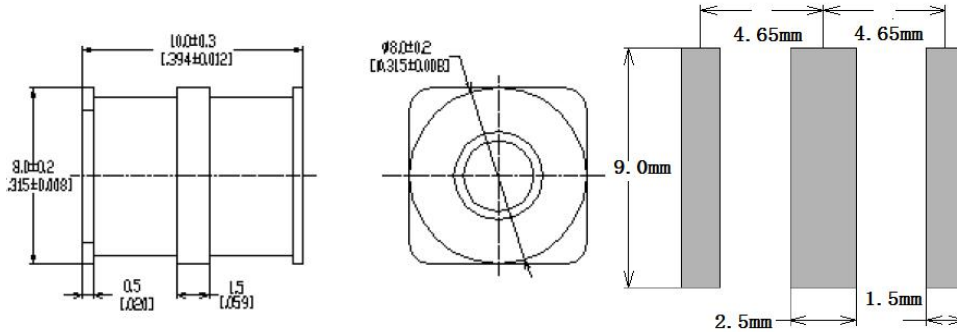


3-Electrode Gas Discharge Tubes

1: Dimension(mm)

10KA
Surface Mount



2: Main Applications

- PCI Cards protection
- Telephone/Fax/Modem protection
- single line protection
- ADSL/XDSL Splitter, Power Supply
- Surge Protection Device/Surge Protector

3: Features

- 100% Lead-Free (RoHS Compliant)
- Non-Radioactive
- Low capacitance: $\leq 1\text{pF}$
- Small size: $\Phi 8 \times 10\text{mm}$
- Safety certification: File number: E505240

4 Electrical Characteristics

Part Number	DC Spark-over Voltage	Impulse Spark-over Voltage	Impulse Spark-over Voltage	Insulation Resistance	Impulse discharge current	Impulse Life	AC discharge current	Delivery time	UL Certificate
	@100V/S	@100V/ μs	@1KV/ μs	G Ω	10 Times	10x1000 μs	10times	days	UL497B
HA3R8-75MSMD	75V $\pm 20\%$	$\leq 500\text{V}$	$\leq 600\text{V}$	$> 1\text{G}\Omega$	10KA	200A	10A	15days	E505240
HA3R8-90MSMD	90V $\pm 20\%$	$\leq 500\text{V}$	$\leq 600\text{V}$	$> 1\text{G}\Omega$	10KA	200A	10A	15days	E505240
HA3R8-140MSMD	140V $\pm 20\%$	$\leq 500\text{V}$	$\leq 600\text{V}$	$> 1\text{G}\Omega$	10KA	200A	10A	15days	E505240
HA3R8-150MSMD	150V $\pm 20\%$	$\leq 500\text{V}$	$\leq 600\text{V}$	$> 1\text{G}\Omega$	10KA	200A	10A	15days	E505240
HA3R8-200MSMD	200V $\pm 20\%$	$\leq 600\text{V}$	$\leq 700\text{V}$	$> 1\text{G}\Omega$	10KA	200A	10A	15days	E505240
HA3R8-230MSMD	230V $\pm 20\%$	$\leq 600\text{V}$	$\leq 700\text{V}$	$> 1\text{G}\Omega$	10KA	200A	10A	15days	E505240
HA3R8-250MSMD	250V $\pm 20\%$	$\leq 600\text{V}$	$\leq 700\text{V}$	$> 1\text{G}\Omega$	10KA	200A	10A	15days	E505240
HA3R8-300MSMD	300V $\pm 20\%$	$\leq 800\text{V}$	$\leq 900\text{V}$	$> 1\text{G}\Omega$	10KA	200A	10A	15days	E505240
HA3R8-350MSMD	350V $\pm 20\%$	$\leq 900\text{V}$	$\leq 1000\text{V}$	$> 1\text{G}\Omega$	10KA	200A	10A	15days	E505240
HA3R8-400MSMD	400V $\pm 20\%$	$\leq 900\text{V}$	$\leq 1000\text{V}$	$> 1\text{G}\Omega$	10KA	200A	10A	15days	E505240
HA3R8-420MSMD	420V $\pm 20\%$	$\leq 900\text{V}$	$\leq 1000\text{V}$	$> 1\text{G}\Omega$	10KA	200A	10A	15days	E505240
HA3R8-470MSMD	470V $\pm 20\%$	$\leq 1100\text{V}$	$\leq 1200\text{V}$	$> 1\text{G}\Omega$	10KA	200A	10A	15days	E505240
HA3R8-500MSMD	500V $\pm 20\%$	$\leq 1100\text{V}$	$\leq 1200\text{V}$	$> 1\text{G}\Omega$	10KA	200A	10A	15days	E505240
HA3R8-550MSMD	550V $\pm 20\%$	$\leq 1300\text{V}$	$\leq 1400\text{V}$	$> 1\text{G}\Omega$	10KA	200A	10A	15days	E505240
HA3R8-600MSMD	600V $\pm 20\%$	$\leq 1300\text{V}$	$\leq 1400\text{V}$	$> 1\text{G}\Omega$	10KA	200A	10A	15days	E505240
HA3R8-800MSMD	800V $\pm 20\%$	$\leq 1500\text{V}$	$\leq 1600\text{V}$	$> 1\text{G}\Omega$	10KA	200A	10A	15days	E505240

3-Electrode Gas Discharge Tubes

10KA

1:At delivery AQL 0.65 leave II Military Standard 105 E

2:In ionized mode

3:Test according to ITU-T Rec.k.12

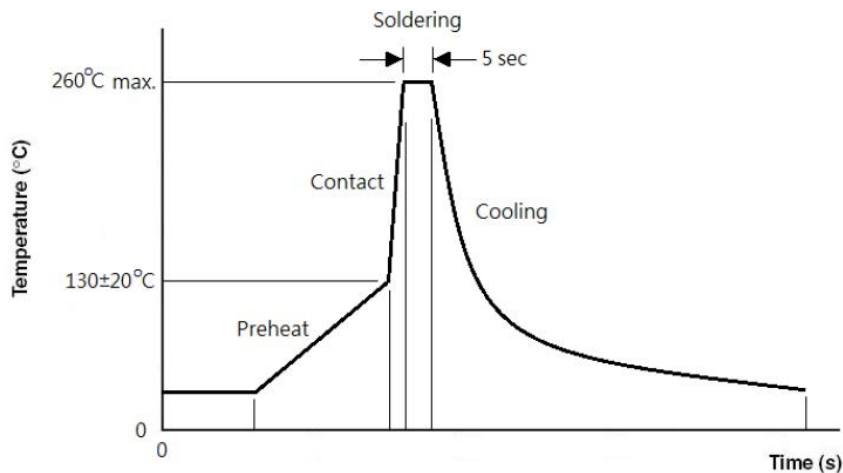
Environmental resistance

Storage temperature:	-40°C---+90°C
Operating temperature:	-40°C---+90°C
Electrode:	Tin Plated

Example Part Number: HA3R8-90MSMD

HA	=	HUAAN
3	=	3 Electrode device
R	=	Gas Discharge Tube
8	=	8mm Diameter
90	=	90V
M	=	Medium Surge 10KA GDT
SMD	=	Surface-mount

Reflow Soldering Curve



Packaging Quantity

Part Number	Quantity	
	Per Reel	Per Carton
HA3R8-xxxMSMD Series	500PCS	3000PCS