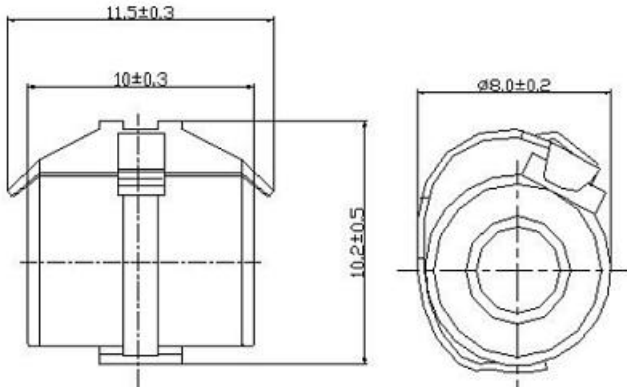


## 3-Electrode Gas Discharge Tubes

10KA

1: Dimension(mm)

No Lead wire, With Fail Safe



### 2: Main Applications

- PCI Cards protection
- Telephone/Fax/Modem protection
- single line protection
- ADSL/XDSL Splitter, Power Supply
- Surge Protection Device/Surge Protector

### 3: Features

- 100% Lead-Free (RoHS Compliant)
- Non-Radioactive
- Low capacitance: ≤1pF
- Small size : Φ8x10mm
- Safety certification: File number: E505240

### 4 Electrical Characteristics

Part Number	DC Spark-over Voltage @100V/S	Impulse Spark-over Voltage @100V/μs	Impulse Spark-over Voltage @1KV/μs	Insulation Resistance GΩ	Impulse discharge current 8/20μs 10 Times	Impulse Life 300 hits 10x1000μs	AC discharge current 50Hz, 1s 10times	Delivery time days	UL Certificate
HA3R8-75MBF	75V ±20%	≤500V	≤ 600V	>1GΩ	10KA	200A	10A	15days	E505240
HA3R8-90MBF	90V ±20%	≤500V	≤ 600V	>1GΩ	10KA	200A	10A	15days	E505240
HA3R8-140MBF	140V±20%	≤500V	≤ 600V	>1GΩ	10KA	200A	10A	15days	E505240
HA3R8-150MBF	150V±20%	≤500V	≤ 600V	>1GΩ	10KA	200A	10A	15days	E505240
HA3R8-200MBF	200V±20%	≤600V	≤ 700V	>1GΩ	10KA	200A	10A	15days	E505240
HA3R8-230MBF	230V±20%	≤600V	≤ 700V	>1GΩ	10KA	200A	10A	15days	E505240
HA3R8-250MBF	250V±20%	≤600V	≤ 700V	>1GΩ	10KA	200A	10A	15days	E505240
HA3R8-300MBF	300V±20%	≤800V	≤ 900V	>1GΩ	10KA	200A	10A	15days	E505240
HA3R8-350MBF	350V±20%	≤900V	≤ 1000V	>1GΩ	10KA	200A	10A	15days	E505240
HA3R8-400MBF	400V±20%	≤900V	≤ 1000V	>1GΩ	10KA	200A	10A	15days	E505240
HA3R8-420MBF	420V±20%	≤900V	≤ 1000V	>1GΩ	10KA	200A	10A	15days	E505240
HA3R8-470MBF	470V±20%	≤1100V	≤ 1200V	>1GΩ	10KA	200A	10A	15days	E505240
HA3R8-500MBF	500V±20%	≤1100V	≤ 1200V	>1GΩ	10KA	200A	10A	15days	E505240
HA3R8-550MBF	550V±20%	≤1300V	≤ 1400V	>1GΩ	10KA	200A	10A	15days	E505240
HA3R8-600MBF	600V±20%	≤1300V	≤1400V	>1GΩ	10KA	200A	10A	15days	E505240
HA3R8-800MBF	800V±20%	≤1500V	≤1600V	>1GΩ	10KA	200A	10A	15days	---

## 3-Electrode Gas Discharge Tubes

10KA

1:At delivery AQL 0.65 leave II Military Standard 105 E

2:In ionized mode

3:Test according to ITU-T Rec.k.12

### Environmental resistance

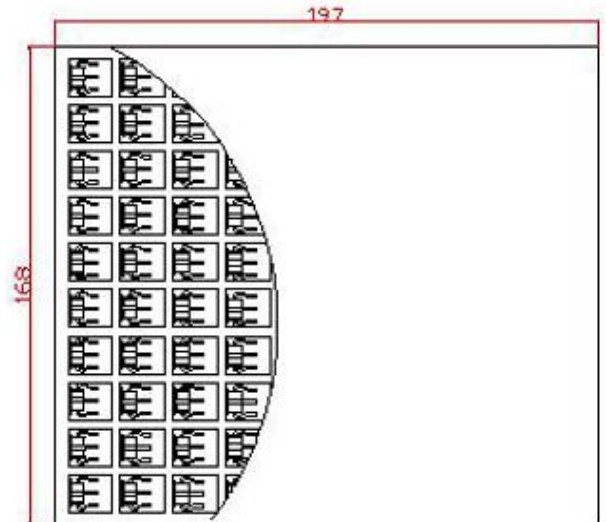
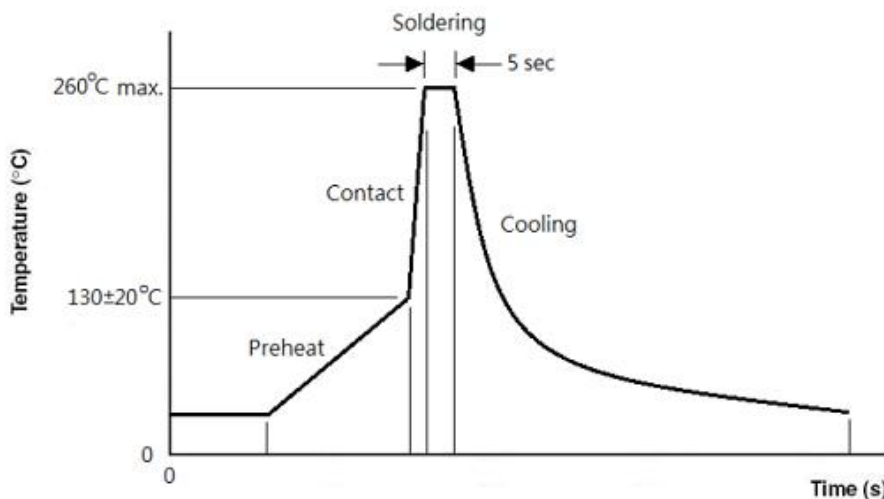
<b>Storage temperature:</b>	-40°C---+90°C
<b>Operating temperature:</b>	-40°C---+90°C
<b>Electrode:</b>	Tin Plated

### Example Part Number: HA3R8-90MBF

<b>HA</b>	<b>=</b>	<b>HUAAN</b>
<b>3</b>	<b>=</b>	<b>3 Electrode device</b>
<b>R</b>	<b>=</b>	<b>Gas Discharge Tube</b>
<b>8</b>	<b>=</b>	<b>8mm Diameter</b>
<b>90</b>	<b>=</b>	<b>90V</b>
<b>M</b>	<b>=</b>	<b>Medium Surge 10KA</b>
<b>B</b>	<b>=</b>	<b>No Lead Wire</b>
<b>F</b>		<b>fail short mechanism on top</b>

### Reflow Soldering Curve

### Packaging Information



### Packaging Quantity

Part Number	Quantity	
	Per Tray	Per Carton
<b>HA3R8-xxxMBF Series</b>	<b>100PCS</b>	<b>5000PCS</b>