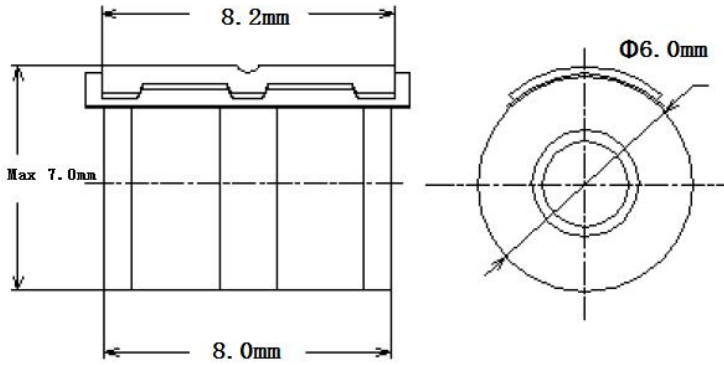


3-Electrode Gas Discharge Tubes

10KA

1: Dimension(mm)

No Lead Wire, With Fail Safe



2: Main Applications

- PCI Cards protection
- Telephone/Fax/Modem protection
- single line protection
- ADSL/XDSL Splitter, Power Supply
- Surge Protection Device/Surge Protector

3: Features

- 100% Lead-Free (RoHS Compliant)
- Non-Radioactive
- Low capacitance: ≤1pF
- Small size : Φ6x8(mm)
- Safety certification: File number: E505240

4 Electrical Characteristics

Part Number	DC Spark-over Voltage	Impulse Spark-over Voltage	Impulse Spark-over Voltage	Insulation Resistance	Impulse discharge current 8/20μs	Impulse Life 300 hits	AC discharge current 50Hz, 1s	Delivery time	UL Certificate
	@100V/S	@100V/μs	@1KV/μs						
HA3R6-75BF	75V ±20%	≤500V	≤ 600V	>1GΩ	10KA	200A	10A	15days	E505240
HA3R6-90BF	90V ±20%	≤500V	≤ 600V	>1GΩ	10KA	200A	10A	15days	E505240
HA3R6-140BF	140V±20%	≤500V	≤ 600V	>1GΩ	10KA	200A	10A	15days	E505240
HA3R6-150BF	150V±20%	≤500V	≤ 600V	>1GΩ	10KA	200A	10A	15days	E505240
HA3R6-200BF	200V±20%	≤600V	≤ 700V	>1GΩ	10KA	200A	10A	15days	E505240
HA3R6-230BF	230V±20%	≤600V	≤ 700V	>1GΩ	10KA	200A	10A	15days	E505240
HA3R6-250BF	250V±20%	≤600V	≤ 700V	>1GΩ	10KA	200A	10A	15days	E505240
HA3R6-300BF	300V±20%	≤800V	≤ 900V	>1GΩ	10KA	200A	10A	15days	E505240
HA3R6-350BF	350V±20%	≤900V	≤ 1000V	>1GΩ	10KA	200A	10A	15days	E505240
HA3R6-400BF	400V±20%	≤900V	≤ 1000V	>1GΩ	10KA	200A	10A	15days	E505240
HA3R6-420BF	420V±20%	≤900V	≤ 1000V	>1GΩ	10KA	200A	10A	15days	E505240
HA3R6-470BF	470V±20%	≤1100V	≤ 1200V	>1GΩ	10KA	200A	10A	15days	E505240
HA3R6-500BF	500V±20%	≤1100V	≤ 1200V	>1GΩ	10KA	200A	10A	15days	E505240
HA3R6-550BF	550V±20%	≤1300V	≤ 1400V	>1GΩ	10KA	200A	10A	15days	E505240
HA3R6-600BF	600V±20%	≤1300V	≤1400V	>1GΩ	10KA	200A	10A	15days	E505240
HA3R6-800BF	800V±20%	≤1500V	≤1600V	>1GΩ	10KA	200A	10A	15days	E505240

3-Electrode Gas Discharge Tubes

10KA

1:At delivery AQL 0.65 leave II Military Standard 105 E

2:In ionized mode

3:Test according to ITU-T Rec.k.12

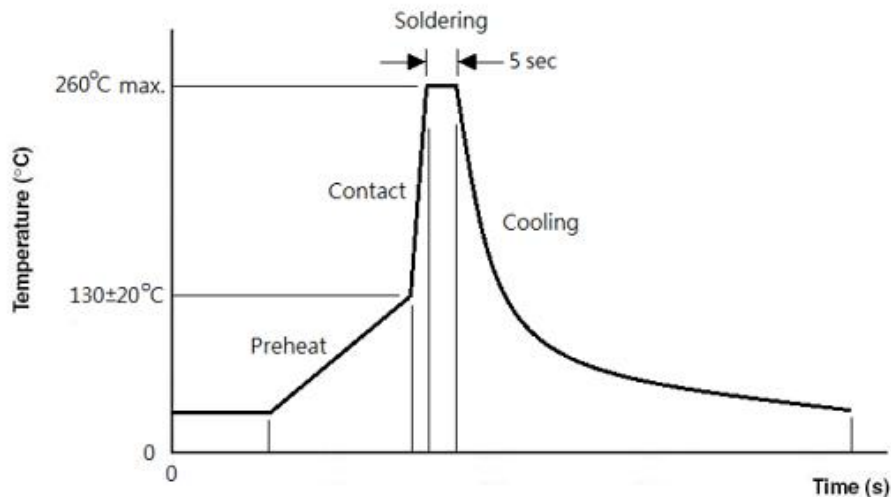
Environmental resistance

Storage temperature:	-40°C---+90°C
Operating temperature:	-40°C---+90°C
Electrode:	Tin Plated

Example Part Number: HA3R6-90BF

HA	=	HUAAN
3	=	3 Electrode device
R	=	Gas Discharge Tube
6	=	6mm Diameter
90	=	90V
B	=	Medium Surge 10KA GDT,No Lead Wire
F	=	With Fail Short mechanism on top

Reflow Soldering Curve



Packaging Quantity

Part Number	Series	Quantity	
		Per Reel	Per Carton
HA3R6-xxxBF	Series	750PCS	4500PCS