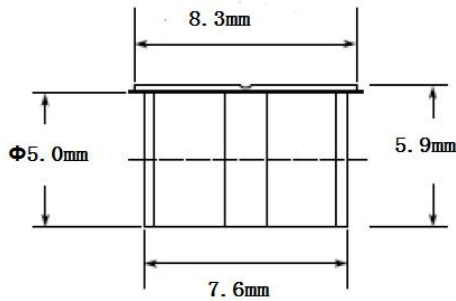


## 3-Electrode Gas Discharge Tubes

5KA

1: Dimension(mm)

No Lead Wire,with Fail Safe



### 2: Main Applications

- PCI Cards protection
- Telephone/Fax/Modem protection
- single line protection
- ADSL/XDSL Splitter, Power Supply
- Surge Protection Device/Surge Protector

### 3: Features

- 100% Lead-Free (RoHS Compliant)
- Non-Radioactive
- Low capacitance: ≤1pF
- Small size : Φ5x7.6mm
- Safety certification: File number: E505240

### 4 Electrical Characteristics

Part Number	DC Spark-over Voltage	Impulse Spark-over Voltage	Impulse Spark-over Voltage	Insulation Resistance	Impulse discharge current	Impulse Life	AC discharge current	Delivery time	UL Certificate
	@100V/S	@100V/μs	@1KV/μs	GΩ	10 Times	10x1000μs	10times	days	UL497B
HA3R5-75BF	75V ±20%	≤500V	≤ 600V	>1GΩ	5KA	100A	5A	15days	E505240
HA3R5-90BF	90V ±20%	≤500V	≤ 600V	>1GΩ	5KA	100A	5A	15days	E505240
HA3R5-140BF	140V±20%	≤500V	≤ 600V	>1GΩ	5KA	100A	5A	15days	E505240
HA3R5-150BF	150V±20%	≤500V	≤ 600V	>1GΩ	5KA	100A	5A	15days	E505240
HA3R5-200BF	200V±20%	≤600V	≤ 700V	>1GΩ	5KA	100A	5A	15days	E505240
HA3R5-230BF	230V±20%	≤600V	≤ 700V	>1GΩ	5KA	100A	5A	15days	E505240
HA3R5-250BF	250V±20%	≤600V	≤ 700V	>1GΩ	5KA	100A	5A	15days	E505240
HA3R5-300BF	300V±20%	≤800V	≤ 900V	>1GΩ	5KA	100A	5A	15days	E505240
HA3R5-350BF	350V±20%	≤900V	≤ 1000V	>1GΩ	5KA	100A	5A	15days	E505240
HA3R5-400BF	400V±20%	≤900V	≤ 1000V	>1GΩ	5KA	100A	5A	15days	E505240
HA3R5-420BF	420V±20%	≤900V	≤ 1000V	>1GΩ	5KA	100A	5A	15days	E505240
HA3R5-470BF	470V±20%	≤1100V	≤ 1200V	>1GΩ	5KA	100A	5A	15days	E505240
HA3R5-500BF	500V±20%	≤1100V	≤ 1200V	>1GΩ	5KA	100A	5A	15days	E505240
HA3R5-550BF	550V±20%	≤1300V	≤ 1400V	>1GΩ	5KA	100A	5A	15days	E505240
HA3R5-600BF	600V±20%	≤1300V	≤1400V	>1GΩ	5KA	100A	5A	15days	E505240
HA3R5-800BF	800V±20%	≤1500V	≤1600V	>1GΩ	5KA	100A	5A	15days	E505240

## 3-Electrode Gas Discharge Tubes

5KA

1:At delivery AQL 0.65 leave II Military Standard 105 E

2:In ionized mode

3:Test according to ITU-T Rec.k.12

### Environmental resistance

Storage temperature:	-40°C---+90°C
Operating temperature:	-40°C---+90°C
Electrode:	Tin Plated

Example Part Number: HA3R5-90BF

HA	=	HUAAN
3	=	3 Electrode device
R	=	Gas Discharge Tube
5	=	5mm Diameter
90	=	90V
B	=	Surface-mount
F	=	With Fail Short mechanism

### Tape Specification and Reel Dimensions

Symbol	Dimensions(mm)
W	16.0mm ±0.3
E	1.75mm ±0.1
F	7.5mm ±0.1
T	0.50mm ±0.05
P	8.0mm ±0.1
P0	4.0mm ±0.1
P2	2.0mm ±0.1
D0	Φ1.5mm ±0.1
A0	5.40mm ±0.1
K0	5.70mm ±0.1
B0	5.4mm ±0.1

### Packaging Quantity

Part Number	Quantity	
	Per Reel	Per Carton
HA3R5-xxxBF Series	900PCS	4500PCS