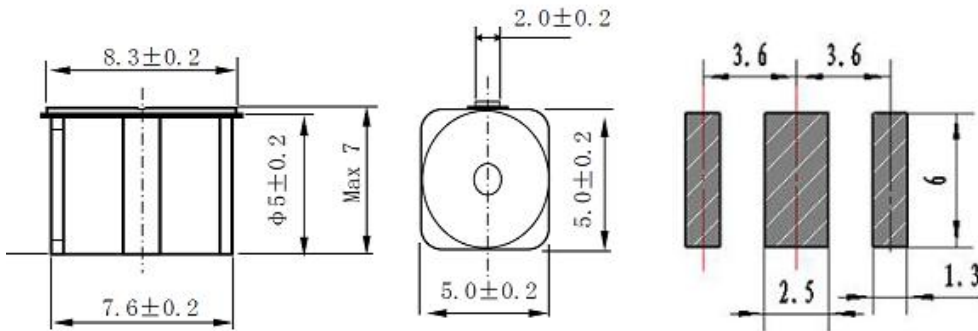


3-Electrode Gas Discharge Tubes

5KA

1: Dimension(mm)

Surface Mount,with Fail Safe



2: Main Applications

- PCI Cards protection
- Telephone/Fax/Modem protection
- single line protection
- ADSL/XDSL Splitter, Power Supply
- Surge Protection Device/Surge Protector

3: Features

- 100% Lead-Free (RoHS Compliant)
- Non-Radioactive
- Low capacitance: ≤1pF
- Small size : Φ5x7.6mm
- Safety certification: File number: E505240

4 Electrical Characteristics

Part Number	DC Spark-over Voltage @100V/S	Impulse Spark-over Voltage @100V/μs	Impulse Spark-over Voltage @1KV/μs	Insulation Resistance GΩ	Impulse discharge current 8/20μs 10 Times	Impulse Life 300 hits 10x1000μs	AC discharge current 50Hz, 1s 10times	Delivery time days	UL Certificate
HA3R5-75SMDF	75V ±20%	≤500V	≤ 600V	>1GΩ	5KA	100A	5A	15days	E505240
HA3R5-90SMDF	90V ±20%	≤500V	≤ 600V	>1GΩ	5KA	100A	5A	15days	E505240
HA3R5-140SMDF	140V±20%	≤500V	≤ 600V	>1GΩ	5KA	100A	5A	15days	E505240
HA3R5-150SMDF	150V±20%	≤500V	≤ 600V	>1GΩ	5KA	100A	5A	15days	E505240
HA3R5-200SMDF	200V±20%	≤600V	≤ 700V	>1GΩ	5KA	100A	5A	15days	E505240
HA3R5-230SMDF	230V±20%	≤600V	≤ 700V	>1GΩ	5KA	100A	5A	15days	E505240
HA3R5-250SMDF	250V±20%	≤600V	≤ 700V	>1GΩ	5KA	100A	5A	15days	E505240
HA3R5-300SMDF	300V±20%	≤800V	≤ 900V	>1GΩ	5KA	100A	5A	15days	E505240
HA3R5-350SMDF	350V±20%	≤900V	≤ 1000V	>1GΩ	5KA	100A	5A	15days	E505240
HA3R5-400SMDF	400V±20%	≤900V	≤ 1000V	>1GΩ	5KA	100A	5A	15days	E505240
HA3R5-420SMDF	420V±20%	≤900V	≤ 1000V	>1GΩ	5KA	100A	5A	15days	E505240
HA3R5-470SMDF	470V±20%	≤1100V	≤ 1200V	>1GΩ	5KA	100A	5A	15days	E505240
HA3R5-500SMDF	500V±20%	≤1100V	≤ 1200V	>1GΩ	5KA	100A	5A	15days	E505240
HA3R5-550SMDF	550V±20%	≤1300V	≤ 1400V	>1GΩ	5KA	100A	5A	15days	E505240
HA3R5-600SMDF	600V±20%	≤1300V	≤1400V	>1GΩ	5KA	100A	5A	15days	E505240
HA3R5-800SMDF	800V±20%	≤1500V	≤1600V	>1GΩ	5KA	100A	5A	15days	E505240

3-Electrode Gas Discharge Tubes

5KA

1:At delivery AQL 0.65 leave II Military Standard 105 E

2:In ionized mode

3:Test according to ITU-T Rec.k.12

Environmental resistance

Storage temperature:	-40°C---+90°C
Operating temperature:	-40°C---+90°C
Electrode:	Tin Plated

Example Part Number: HA3R5-90SMDF

HA	=	HUAAN
3	=	3 Electrode device
R	=	Gas Discharge Tube
5	=	5mm Diameter
90	=	90V
SMD	=	Surface-mount
F	=	With Fail Short mechanism

Tape Specification and Reel Dimensions

Symbol	Dimensions(mm)
W	16.0mm ±0.3
E	1.75mm ±0.1
F	7.5mm ±0.1
T	0.50mm ±0.05
P	8.0mm ±0.1
P0	4.0mm ±0.1
P2	2.0mm ±0.1
D0	Φ1.5mm ±0.1
A0	5.40mm ±0.1
K0	5.70mm ±0.1
B0	5.4mm ±0.1

Packaging Quantity

Part Number	Quantity	
	Per Reel	Per Carton
HA3R5-xxxSMDF Series	900PCS	5000PCS