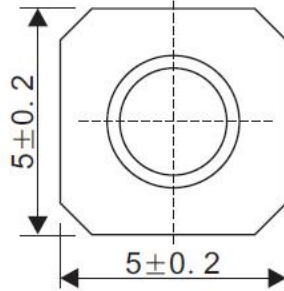
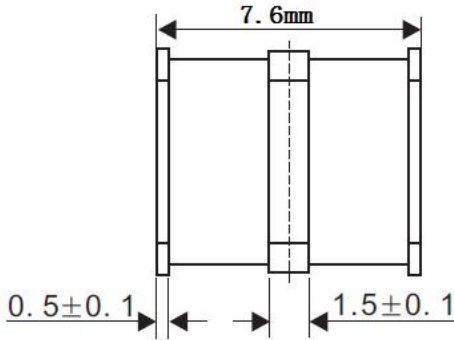


3-Electrode Gas Discharge Tubes

1: Dimension(mm)

5KA
Surface Mount



2: Main Applications

- PCI Cards protection
- Telephone/Fax/Modem protection
- single line protection
- ADSL/XDSL Splitter, Power Supply
- Surge Protection Device/Surge Protector

3: Features

- 100% Lead-Free (RoHS Compliant)
- Non-Radioactive
- Low capacitance: $\leq 1\text{pF}$
- Small size : 5x5x7.6mm
- Safety certification: File number: E505240

4 Electrical Characteristics

Part Number	DC Spark-over Voltage @100V/S	Impulse Spark-over Voltage @100V/ μs	Impulse Spark-over Voltage @1KV/ μs	Insulation Resistance G Ω	Impulse discharge current 8/20 μs 10 Times	Impulse Life 300 hits 10x1000 μs	AC discharge current 50Hz, 1s 10times	Delivery time days	UL Certificate UL497B
HA3R5-75SMD1	75V $\pm 20\%$	$\leq 500\text{V}$	$\leq 600\text{V}$	$> 1\text{G}\Omega$	5KA	100A	5A	15days	E505240
HA3R5-90SMD1	90V $\pm 20\%$	$\leq 500\text{V}$	$\leq 600\text{V}$	$> 1\text{G}\Omega$	5KA	100A	5A	15days	E505240
HA3R5-140SMD1	140V $\pm 20\%$	$\leq 500\text{V}$	$\leq 600\text{V}$	$> 1\text{G}\Omega$	5KA	100A	5A	15days	E505240
HA3R5-150SMD1	150V $\pm 20\%$	$\leq 500\text{V}$	$\leq 600\text{V}$	$> 1\text{G}\Omega$	5KA	100A	5A	15days	E505240
HA3R5-200SMD1	200V $\pm 20\%$	$\leq 600\text{V}$	$\leq 700\text{V}$	$> 1\text{G}\Omega$	5KA	100A	5A	15days	E505240
HA3R5-230SMD1	230V $\pm 20\%$	$\leq 600\text{V}$	$\leq 700\text{V}$	$> 1\text{G}\Omega$	5KA	100A	5A	15days	E505240
HA3R5-250SMD1	250V $\pm 20\%$	$\leq 600\text{V}$	$\leq 700\text{V}$	$> 1\text{G}\Omega$	5KA	100A	5A	15days	E505240
HA3R5-300SMD1	300V $\pm 20\%$	$\leq 800\text{V}$	$\leq 900\text{V}$	$> 1\text{G}\Omega$	5KA	100A	5A	15days	E505240
HA3R5-350SMD1	350V $\pm 20\%$	$\leq 900\text{V}$	$\leq 1000\text{V}$	$> 1\text{G}\Omega$	5KA	100A	5A	15days	E505240
HA3R5-400SMD1	400V $\pm 20\%$	$\leq 900\text{V}$	$\leq 1000\text{V}$	$> 1\text{G}\Omega$	5KA	100A	5A	15days	E505240
HA3R5-420SMD1	420V $\pm 20\%$	$\leq 900\text{V}$	$\leq 1000\text{V}$	$> 1\text{G}\Omega$	5KA	100A	5A	15days	E505240
HA3R5-470SMD1	470V $\pm 20\%$	$\leq 1100\text{V}$	$\leq 1200\text{V}$	$> 1\text{G}\Omega$	5KA	100A	5A	15days	E505240
HA3R5-500SMD1	500V $\pm 20\%$	$\leq 1100\text{V}$	$\leq 1200\text{V}$	$> 1\text{G}\Omega$	5KA	100A	5A	15days	E505240
HA3R5-550SMD1	550V $\pm 20\%$	$\leq 1300\text{V}$	$\leq 1400\text{V}$	$> 1\text{G}\Omega$	5KA	100A	5A	15days	E505240
HA3R5-600SMD1	600V $\pm 20\%$	$\leq 1300\text{V}$	$\leq 1400\text{V}$	$> 1\text{G}\Omega$	5KA	100A	5A	15days	E505240
HA3R5-800SMD1	800V $\pm 20\%$	$\leq 1500\text{V}$	$\leq 1600\text{V}$	$> 1\text{G}\Omega$	5KA	100A	5A	15days	E505240

3-Electrode Gas Discharge Tubes

5KA

1:At delivery AQL 0.65 leave II Military Standard 105 E

2:In ionized mode

3:Test according to ITU-T Rec.k.12

Environmental resistance

Storage temperature:	-40°C---+90°C
Operating temperature:	-40°C---+90°C
Electrode:	Tin Plated

Example Part Number: HA3R5-90SMD1

HA	=	HUAAN
3	=	3 Electrode device
R	=	Gas Discharge Tube
5	=	5mm Diameter
90	=	90V
SMD	=	Surface-mount
1	=	square

Tape Specification and Reel Dimensions

Symbol	Dimensions(mm)
W	16.0mm ±0.3
E	1.75mm ±0.1
F	7.5mm ±0.1
T	0.50mm ±0.05
P	8.0mm ±0.1
P0	4.0mm ±0.1
P2	2.0mm ±0.1
D0	Φ1.5mm ±0.1
A0	5.40mm ±0.1
K0	5.70mm ±0.1
B0	5.4mm ±0.1

Packaging Quantity

Part Number	Quantity	
	Per Reel	Per Carton
HA3R5-xxxSMD1 Series	1000PCS	5000PCS