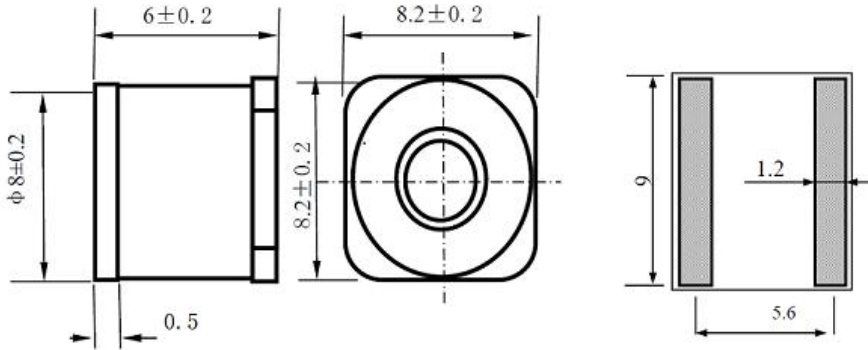


2-Electrode Gas Discharge Tubes

20KA
Surface Mount



1: Dimension(mm)



2: Main Applications

- PCI Cards protection
- Telephone/Fax/Modem protection
- single line protection
- ADSL/XDSL Splitter, Power Supply
- Surge Protection Device/Surge Protector

3: Features

- 100% Lead-Free (RoHS Compliant)
- Non-Radioactive
- Low capacitance: ≤1pF
- Small size : Φ8x6mm
- Safety certification: File number: E505240

4 Electrical Characteristics

Part Number	DC Spark-over Voltage	Impulse Spark-over Voltage	Impulse Spark-over Voltage	Insulation Resistance	Impulse discharge current	Impulse Life	AC discharge current	Delivery time	UL Certificate
	@100V/S	@100V/μs	@1KV/μs	GΩ	10 Times	10x1000μs	10times	days	UL497B
HA2R8-75HSMD	75V ±20%	≤500V	≤ 600V	>1GΩ	20KA	100A	20A	12days	E505240
HA2R8-90HSMD	90V ±20%	≤500V	≤ 600V	>1GΩ	20KA	100A	20A	12days	E505240
HA2R8-140HSMD	140V±20%	≤500V	≤ 600V	>1GΩ	20KA	100A	20A	12days	E505240
HA2R8-150HSMD	150V±20%	≤500V	≤ 600V	>1GΩ	20KA	100A	20A	12days	E505240
HA2R8-200HSMD	200V±20%	≤600V	≤ 700V	>1GΩ	20KA	100A	20A	12days	E505240
HA2R8-230HSMD	230V±20%	≤600V	≤ 700V	>1GΩ	20KA	100A	20A	12days	E505240
HA2R8-250HSMD	250V±20%	≤600V	≤ 700V	>1GΩ	20KA	100A	20A	12days	E505240
HA2R8-260HSMD	260V±20%	≤700V	≤ 800V	>1GΩ	20KA	100A	20A	12days	E505240
HA2R8-300HSMD	300V±20%	≤800V	≤ 900V	>1GΩ	20KA	100A	20A	12days	E505240
HA2R8-350HSMD	350V±20%	≤900V	≤ 1000V	>1GΩ	20KA	100A	20A	12days	E505240
HA2R8-400HSMD	400V±20%	≤900V	≤ 1000V	>1GΩ	20KA	100A	20A	12days	E505240
HA2R8-420HSMD	420V±20%	≤900V	≤ 1000V	>1GΩ	20KA	100A	20A	12days	E505240
HA2R8-470HSMD	470V±20%	≤1100V	≤ 1200V	>1GΩ	20KA	100A	20A	12days	E505240
HA2R8-500HSMD	500V±20%	≤1100V	≤ 1200V	>1GΩ	20KA	100A	20A	12days	E505240
HA2R8-550HSMD	550V±20%	≤1300V	≤ 1400V	>1GΩ	20KA	100A	20A	12days	E505240
HA2R8-600HSMD	600V±20%	≤1300V	≤1400V	>1GΩ	20KA	100A	20A	12days	E505240
HA2R8-800HSMD	600V±20%	≤1400V	≤1500V	>1GΩ	20KA	100A	20A	12days	E505240

4 Electrical Characteristics

Continue

Part Number	DC Holdover Voltage	On-State Voltage	Impulse discharge current 8/20μs	Peak Current @10/350μs	Weight
	Per ITU K.12 (<150ms)	Nominal @ 1A	1time	1time	g
HA2R8-75HSMD	<52V	20V	25KA	2.5KA	~1.5g
HA2R8-90HSMD	<52V	20V	25KA	2.5KA	~1.5g
HA2R8-140HSMD	<80V	20V	25KA	2.5KA	~1.5g
HA2R8-150HSMD	<80V	20V	25KA	2.5KA	~1.5g
HA2R8-200HSMD	<135V	20V	25KA	2.5KA	~1.5g
HA2R8-230HSMD	<135V	20V	25KA	2.5KA	~1.5g
HA2R8-250HSMD	<135V	20V	25KA	2.5KA	~1.5g
HA2R8-260HSMD	<135V	20V	25KA	2.5KA	~1.5g
HA2R8-300HSMD	<150V	20V	25KA	2.5KA	~1.5g
HA2R8-350HSMD	<150V	20V	25KA	2.5KA	~1.5g
HA2R8-400HSMD	<150V	20V	25KA	2.5KA	~1.5g
HA2R8-420HSMD	<150V	20V	25KA	2.5KA	~1.5g
HA2R8-470HSMD	<150V	20V	25KA	2.5KA	~1.5g
HA2R8-500HSMD	<150V	20V	25KA	2.5KA	~1.5g
HA2R8-550HSMD	<150V	20V	25KA	2.5KA	~1.5g
HA2R8-600HSMD	<150V	20V	25KA	2.5KA	~1.5g
HA2R8-800HSMD	<150V	20V	25KA	2.5KA	~1.5g

- 1:At delivery AQL 0.65 leave II Military Standard 105 E
- 2:In ionized mode
- 3:Test according to ITU-T Rec.k.12

Environmental resistance

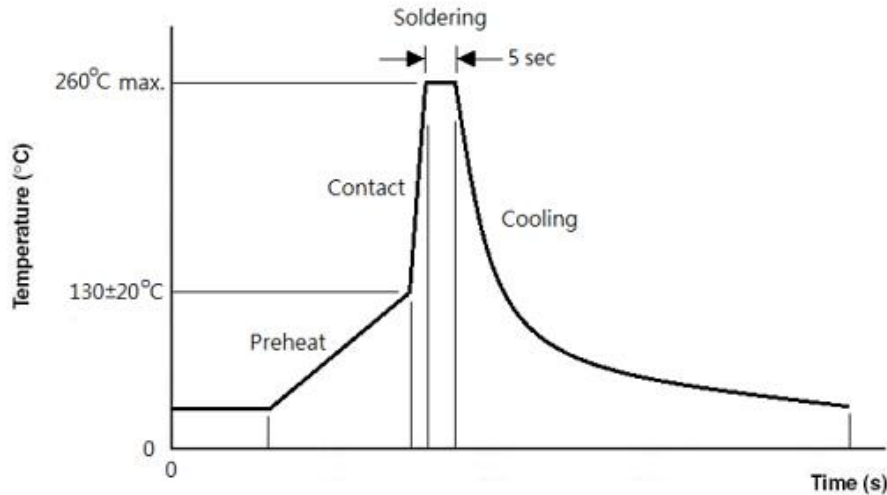
Storage temperature:	-40°C---+90°C
Operating temperature:	-40°C---+90°C
Electrode:	Tin Plated

Example Part Number: HA2R8-90HSMD

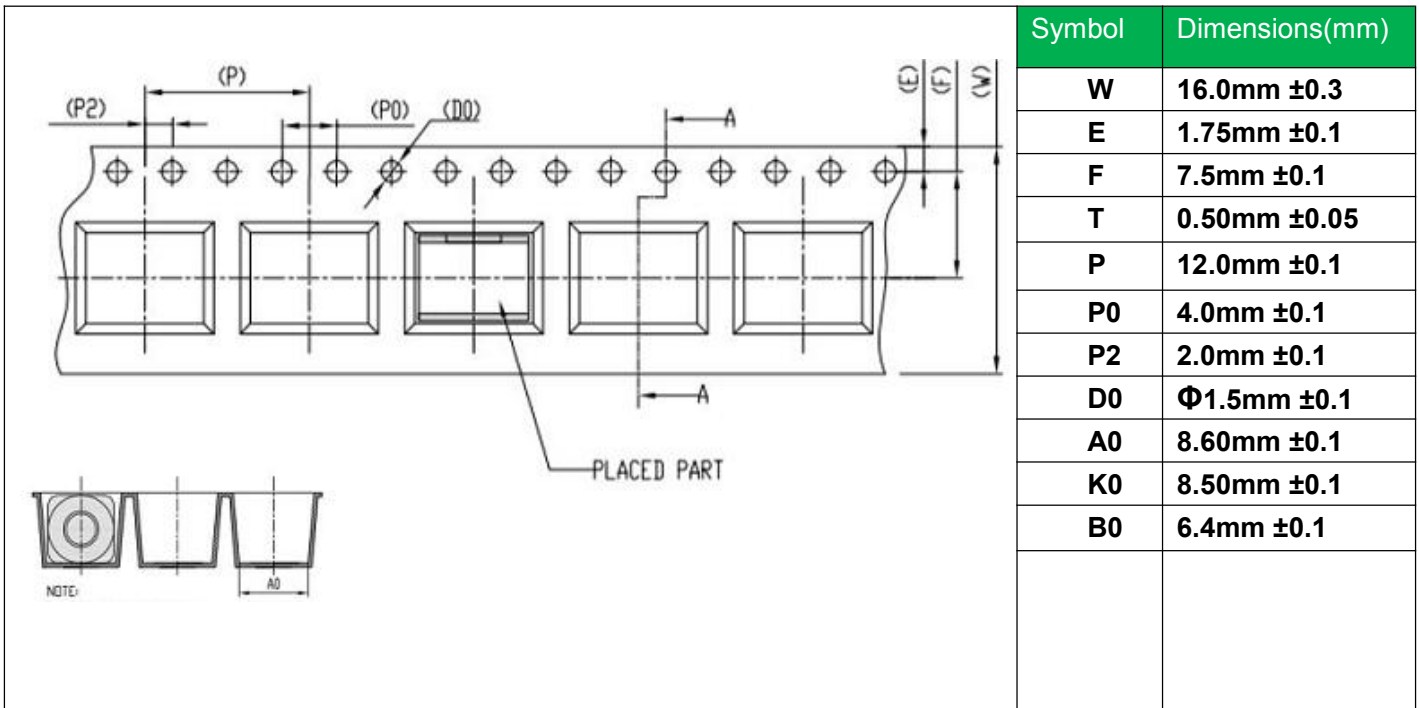
HA	=	HUAAN
2	=	2 Electrode device
R	=	Gas Discharge Tube
8	=	8mm Diameter
90	=	90V
H	=	High Surge 20KA
SMD	=	Surface-mount

2-Electrode Gas Discharge Tubes
Reflow Soldering Curve

20KA



Tape Specification and Reel Dimensions



Packaging Quantity

Part Number	Quantity	
	Per Tray	Per Carton
HA2R8-xxxHSMD Series	500PCS	4000PCS