

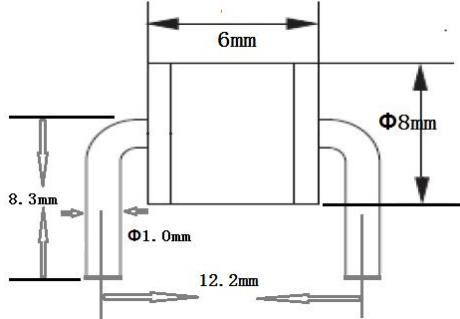
2-Electrode Gas Discharge Tubes

20KA

Vertical Lead Wire



1: Dimension(mm)



2: Main Applications

- PCI Cards protection
- Telephone/Fax/Modem protection
- single line protection
- ADSL/XDSL Splitter, Power Supply
- Surge Protection Device/Surge Protector

3: Features

- 100% Lead-Free (RoHS Compliant)
- Non-Radioactive
- Low capacitance: ≤1pF
- Small size : Φ8x6mm
- Safety certification: File number: E505240

4 Electrical Characteristics

Part Number	DC Spark-over Voltage	Impulse Spark-over Voltage	Impulse Spark-over Voltage	Insulation Resistance	Impulse discharge current	Impulse Life	AC discharge current	Delivery time	UL Certificate
	@100V/S	@100V/μs	@1KV/μs	GΩ	10 Times	10x1000μs	10times	days	UL497B
HA2R8-75E	75V ±20%	≤500V	≤ 600V	>1GΩ	20KA	100A	20A	12days	E505240
HA2R8-90E	90V ±20%	≤500V	≤ 600V	>1GΩ	20KA	100A	20A	12days	E505240
HA2R8-140E	140V±20%	≤500V	≤ 600V	>1GΩ	20KA	100A	20A	12days	E505240
HA2R8-150E	150V±20%	≤500V	≤ 600V	>1GΩ	20KA	100A	20A	12days	E505240
HA2R8-200E	200V±20%	≤600V	≤ 700V	>1GΩ	20KA	100A	20A	12days	E505240
HA2R8-230E	230V±20%	≤600V	≤ 700V	>1GΩ	20KA	100A	20A	12days	E505240
HA2R8-250E	250V±20%	≤600V	≤ 700V	>1GΩ	20KA	100A	20A	12days	E505240
HA2R8-260E	260V±20%	≤700V	≤ 800V	>1GΩ	20KA	100A	20A	12days	E505240
HA2R8-300E	300V±20%	≤800V	≤ 900V	>1GΩ	20KA	100A	20A	12days	E505240
HA2R8-350E	350V±20%	≤900V	≤ 1000V	>1GΩ	20KA	100A	20A	12days	E505240
HA2R8-400E	400V±20%	≤900V	≤ 1000V	>1GΩ	20KA	100A	20A	12days	E505240
HA2R8-420E	420V±20%	≤900V	≤ 1000V	>1GΩ	20KA	100A	20A	12days	E505240
HA2R8-470E	470V±20%	≤1100V	≤ 1200V	>1GΩ	20KA	100A	20A	12days	E505240
HA2R8-500E	500V±20%	≤1100V	≤ 1200V	>1GΩ	20KA	100A	20A	12days	E505240
HA2R8-550E	550V±20%	≤1300V	≤ 1400V	>1GΩ	20KA	100A	20A	12days	E505240
HA2R8-600E	600V±20%	≤1300V	≤1400V	>1GΩ	20KA	100A	20A	12days	E505240
HA2R8-800E	800V±20%	≤1400V	≤1500V	>1GΩ	20KA	100A	20A	12days	--

4 Electrical Characteristics

Continue

Part Number	DC Holdover Voltage	On-State Voltage	Impulse discharge current 8/20μs	Peak Current @10/350μs	Weight
	Per ITU K.12 (<150ms)	Nominal @ 1A	1time	1time	g
HA2R8-75E	<52V	20V	25KA	2.5KA	~1.5g
HA2R8-90E	<52V	20V	25KA	2.5KA	~1.5g
HA2R8-140E	<80V	20V	25KA	2.5KA	~1.5g
HA2R8-150E	<80V	20V	25KA	2.5KA	~1.5g
HA2R8-200E	<135V	20V	25KA	2.5KA	~1.5g
HA2R8-230E	<135V	20V	25KA	2.5KA	~1.5g
HA2R8-250E	<135V	20V	25KA	2.5KA	~1.5g
HA2R8-260E	<135V	20V	25KA	2.5KA	~1.5g
HA2R8-300E	<150V	20V	25KA	2.5KA	~1.5g
HA2R8-350E	<150V	20V	25KA	2.5KA	~1.5g
HA2R8-400E	<150V	20V	25KA	2.5KA	~1.5g
HA2R8-420E	<150V	20V	25KA	2.5KA	~1.5g
HA2R8-470E	<150V	20V	25KA	2.5KA	~1.5g
HA2R8-500E	<150V	20V	25KA	2.5KA	~1.5g
HA2R8-550E	<150V	20V	25KA	2.5KA	~1.5g
HA2R8-600E	<150V	20V	25KA	2.5KA	~1.5g
HA2R8-800E	<150V	20V	25KA	2.5KA	~1.5g

- 1:At delivery AQL 0.65 leave II Military Standard 105 E
- 2:In ionized mode
- 3:Test according to ITU-T Rec.k.12

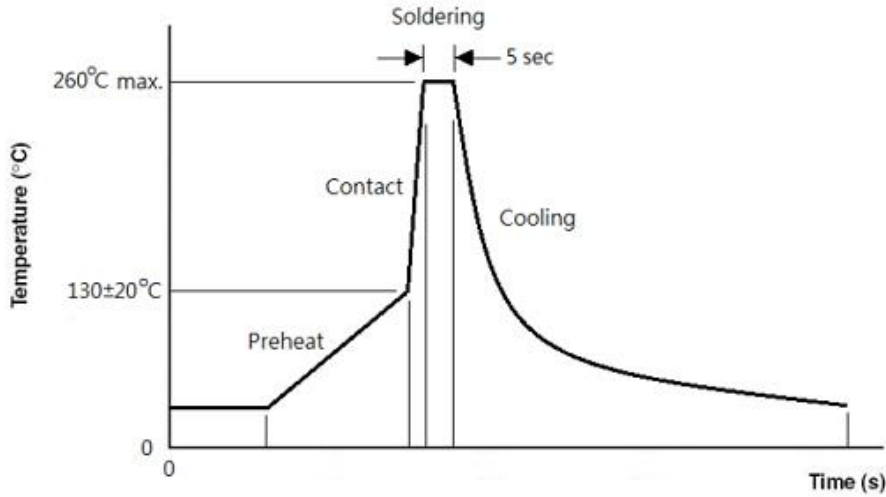
Environmental resistance

Storage temperature:	-40°C---+90°C
Operating temperature:	-40°C---+90°C
Electrode:	Tin Plated

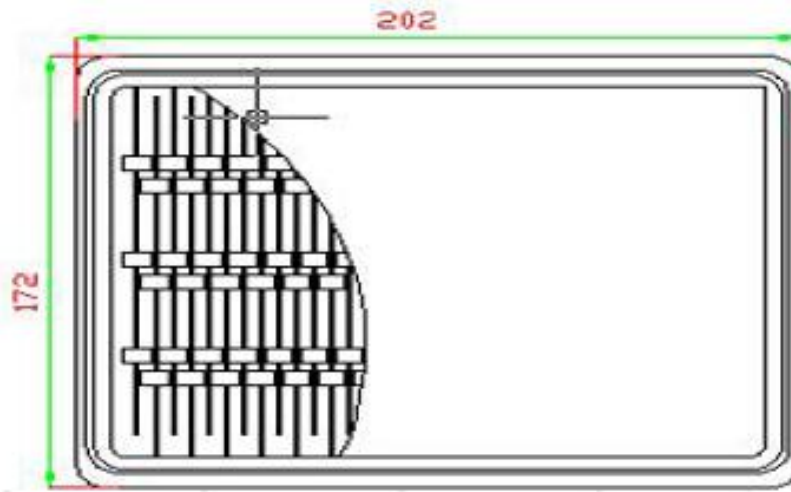
Example Part Number: HA2R8-90E

HA	=	HUAAN
2	=	2 Electrode device
R	=	Gas Discharge Tube
8	=	8mm Diameter
90	=	90V
Blank	=	High Surge 20KA
E	=	Vertical Lead Wire

Reflow Soldering Curve



Packaging Information



Packaging Quantity

Part Number	Quantity	
	Per Tray	Per Carton
HA2R8-xxxE Series	100PCS	5000PCS