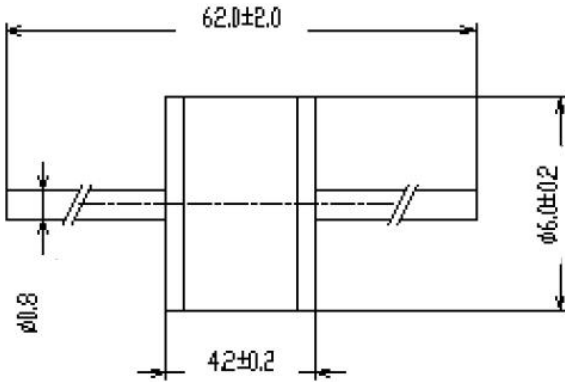


2-Electrode Gas Discharge Tubes

1: Dimension(mm)

5KA
Axial Lead Wire



2: Main Applications

- PCI Cards protection
- Telephone/Fax/Modem protection
- single line protection
- ADSL/XDSL Splitter, Power Supply
- Surge Protection Device/Surge Protector

3: Features

- 100% Lead-Free (RoHS Compliant)
- Non-Radioactive
- Low capacitance: ≤1pF
- Small size : Φ6.2x4.2mm
- Safety certification: File number: E505240

4 Electrical Characteristics

Part Number	DC Spark-over Voltage	Impulse Spark-over Voltage	Impulse Spark-over Voltage	Insulation Resistance	Impulse discharge current 8/20μs	Impulse Life 300 hits	AC discharge current 50Hz, 1s	Delivery time	UL Certificate
	@100V/S	@100V/μs	@1KV/μs	GΩ	10 Times	10x1000μs	10times	days	UL497B
HA2R6-75ML	75V ±20%	≤500V	≤ 600V	>1GΩ	5KA	100A	5A	14days	E505240
HA2R6-90ML	90V ±20%	≤500V	≤ 600V	>1GΩ	5KA	100A	5A	14days	E505240
HA2R6-140ML	140V±20%	≤500V	≤ 600V	>1GΩ	5KA	100A	5A	14days	E505240
HA2R6-150ML	150V±20%	≤500V	≤ 600V	>1GΩ	5KA	100A	5A	14days	E505240
HA2R6-200ML	200V±20%	≤600V	≤ 700V	>1GΩ	5KA	100A	5A	14days	E505240
HA2R6-230ML	230V±20%	≤600V	≤ 700V	>1GΩ	5KA	100A	5A	14days	E505240
HA2R6-250ML	250V±20%	≤600V	≤ 700V	>1GΩ	5KA	100A	5A	14days	E505240
HA2R6-260ML	260V±20%	≤700V	≤ 800V	>1GΩ	5KA	100A	5A	14days	E505240
HA2R6-300ML	300V±20%	≤800V	≤ 900V	>1GΩ	5KA	100A	5A	14days	E505240
HA2R6-350ML	350V±20%	≤900V	≤ 1000V	>1GΩ	5KA	100A	5A	14days	E505240
HA2R6-400ML	400V±20%	≤900V	≤ 1000V	>1GΩ	5KA	100A	5A	14days	E505240
HA2R6-420ML	420V±20%	≤900V	≤ 1000V	>1GΩ	5KA	100A	5A	14days	E505240
HA2R6-470ML	470V±20%	≤1100V	≤ 1200V	>1GΩ	5KA	100A	5A	14days	E505240
HA2R6-500ML	500V±20%	≤1100V	≤ 1200V	>1GΩ	5KA	100A	5A	14days	E505240
HA2R6-600ML	600V±20%	≤1300V	≤1400V	>1GΩ	5KA	100A	5A	14days	E505240

2-Electrode Gas Discharge Tubes

2.5KA

Part Number	DC Spark-over Voltage @100V/S	Impulse Spark-over Voltage @100V/μs	Impulse Spark-over Voltage @1KV/μs	Insulation Resistance GΩ	Impulse discharge current 8/20μs 10 Times	Impulse Life 300 hits 10x1000μs	AC discharge current 50Hz, 1s 10times	Delivery time days	UL Certificate UL497B
HA2R6-800ML	800V ±20%	≤1300V	≤ 1400V	>1GΩ	2.5KA	100A	2.5A	14days	---
HA2R6-1000ML	1000V ±20%	≤1600V	≤ 1700V	>1GΩ	2.5KA	100A	2.5A	14days	---
HA2R6-1200ML	1200V±20%	≤1900V	≤ 2000V	>1GΩ	2.5KA	100A	2.5A	14days	---

1:At delivery AQL 0.65 leave II Military Standard 105 E

2:In ionized mode

3:Test according to ITU-T Rec.k.12

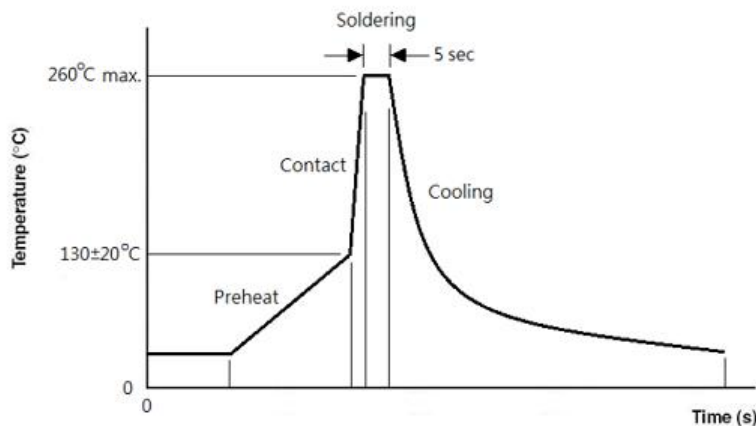
Environmental resistance

Storage temperature:	-40°C----+90°C
Operating temperature:	-40°C----+90°C
Electrode:	Tin Plated

Example Part Number: HA2R6-90ML

HA	=	HUAAN
2	=	2 Electrode device
R	=	Gas Discharge Tube
6	=	6mm Diameter
90	=	90V
M	=	Low Surge 5KA
L	=	Axial Lead Wire

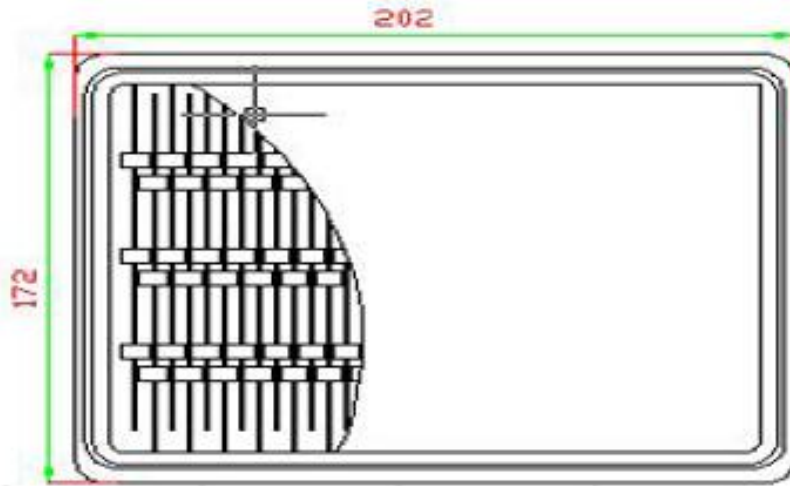
Reflow Soldering Curve



2-Electrode Gas Discharge Tubes

5KA

Packaging Information



Packaging Quantity

Part Number	Quantity	
	Per Tray	Per Carton
HA2R6-xxxML Series	100PCS	5000PCS

Specifications are subject to change without notice

3

Tel: +86-755-27465585

HUAAN LIMITED

www.huaandz.com

Email: sales@huaandz.com