

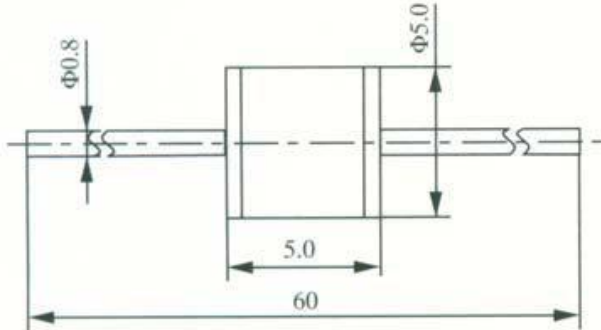
2-Electrode Gas Discharge Tubes

5KA

Axial Lead Wire



1: Dimension(mm)



2: Main Applications

- PCI Cards protection
- Telephone/Fax/Modem protection
- single line protection
- ADSL/XDSL Splitter, Power Supply
- Surge Protection Device/ Surge Protector

3: Features

- 100% Lead-Free (RoHS Compliant)
- Non-Radioactive
- Low capacitance: ≤1pF
- Small size : Φ5x5mm
- Safety certification: File number: E505240

4 Electrical Characteristics

Part Number	DC Spark-over Voltage	Impulse Spark-over Voltage	Impulse Spark-over Voltage	Insulation Resistance	Impulse discharge current 8/20μs	Impulse Life 300 hits	AC discharge current 50Hz, 1s	Delivery time	UL Certificate
	@100V/S	@100V/μs	@1KV/μs	GΩ	10 Times	10x1000μs	10times	days	UL497B
HA2R5-75L	75V ±20%	≤500V	≤ 600V	>1GΩ	5KA	100A	5A	12days	E505240
HA2R5-90L	90V ±20%	≤500V	≤ 600V	>1GΩ	5KA	100A	5A	12days	E505240
HA2R5-140L	140V ±20%	≤500V	≤ 600V	>1GΩ	5KA	100A	5A	12days	E505240
HA2R5-150L	150V ±20%	≤500V	≤ 600V	>1GΩ	5KA	100A	5A	12days	E505240
HA2R5-200L	200V ±20%	≤600V	≤ 700V	>1GΩ	5KA	100A	5A	12days	E505240
HA2R5-230L	230V ±20%	≤600V	≤ 700V	>1GΩ	5KA	100A	5A	12days	E505240
HA2R5-250L	250V ±20%	≤600V	≤ 700V	>1GΩ	5KA	100A	5A	12days	E505240
HA2R5-260L	260V ±20%	≤700V	≤ 800V	>1GΩ	5KA	100A	5A	12days	E505240
HA2R5-300L	300V ±20%	≤800V	≤ 900V	>1GΩ	5KA	100A	5A	12days	E505240
HA2R5-350L	350V ±20%	≤900V	≤ 1000V	>1GΩ	5KA	100A	5A	12days	E505240
HA2R5-400L	400V ±20%	≤900V	≤ 1000V	>1GΩ	5KA	100A	5A	12days	E505240
HA2R5-420L	420V ±20%	≤900V	≤ 1000V	>1GΩ	5KA	100A	5A	12days	E505240
HA2R5-470L	470V ±20%	≤1100V	≤ 1200V	>1GΩ	5KA	100A	5A	12days	E505240
HA2R5-500L	500V ±20%	≤1100V	≤ 1200V	>1GΩ	5KA	100A	5A	12days	E505240
HA2R5-600L	600V ±20%	≤1300V	≤1400V	>1GΩ	5KA	100A	5A	12days	E505240
HA2R5-800L	800V ±20%	≤1400V	≤1500V	>1GΩ	5KA	100A	5A	12days	---

2-Electrode Gas Discharge Tubes

5KA

1:At delivery AQL 0.65 leave II Military Standard 105 E

2:In ionized mode

3:Test according to ITU-T Rec.k.12

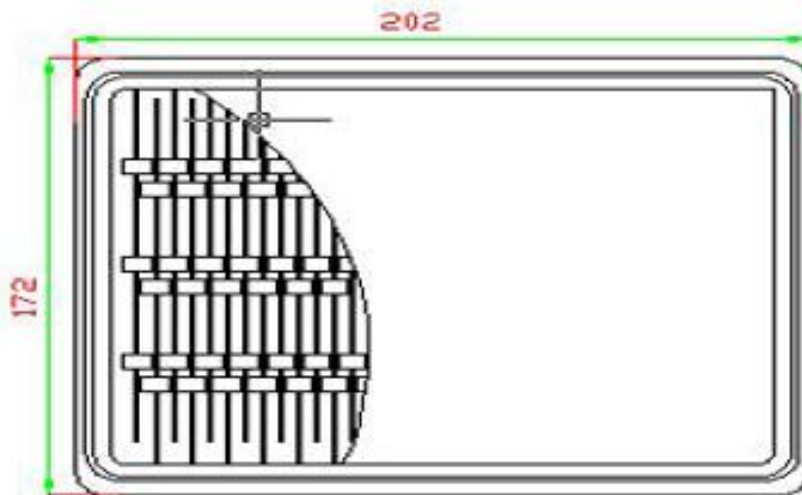
Environmental resistance

Storage temperature:	-40°C---+90°C
Operating temperature:	-40°C---+90°C
Electrode:	Tin Plated

Example Part Number: HA2R5-90L

HA	=	HUAAN
2	=	2 Electrode device
R	=	Gas Discharge Tube
5	=	5mm Diameter
90	=	90V
L	=	Low Surge 5KA

Packaging Information



Packaging Quantity

Part Number	Quantity	
	Per Tray	Per Carton
HA2R5-xxxL Series	100PCS	5000PCS