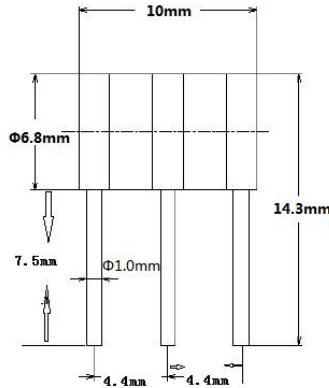


3-Electrode Gas Discharge Tubes
1: Dimension

10KA
Radial Lead Wire



2:Main Applications	3:Features
<ul style="list-style-type: none"> •PCI Cards protection •Telephone/Fax/Modem protection •single line protection •ADSL/XDSL Splitter,Power Supply •Surge Protection Device/Surge Protector 	<ul style="list-style-type: none"> •100% Lead-Free(RoHs Compliant) •Non-Radioactive •Low capacitance: ≤5pF •Small size :Φ6.8x10mm •Safety certification: File number: E505240

4 Electrical Characteristics

Part Number	DC Spark-over Voltage	Impulse Spark-over Voltage	Impulse Spark-over Voltage	Insulation Resistance	Impulse discharge current	Impulse Life	AC discharge current	Delivery time	UL Certificate
	@100V/S	@100V/μs	@1KV/μs	GΩ	8/20μs	300 hits	50Hz, 1s	days	UL497B
HA3R6-230HT	230V	≤650V	≤ 700V	>1GΩ	10KA	200A	10A	15days	E505240

Nominal Dc spark-over voltage (100V/s)	230V(190V~300V)
Maximum capacitance (1MHz)	5pF
Max. residue voltage during glow discharge	80V
Transverse delay time	<0.2μs
Arc voltage @1A	~10V
Glow to arc transition current	~1.5A
Weight	~ 2g
Climatic category (IEC 60068-1)	40/90/21

- 1) At delivery AQL 0.65 leave II Military Standard 105 E.
- 2)In ionized mode
- 3)Tip or ring electrode to center electrode
- 4)Total current through center electrode, half value through tip respectively ring electrode

Note: •Terms in accordance with ITU-T Rec. K.12
•Test method in accordance with ITU-T Rec. K.12

3-Electrode Gas Discharge Tubes
Environmental resistance

10KA

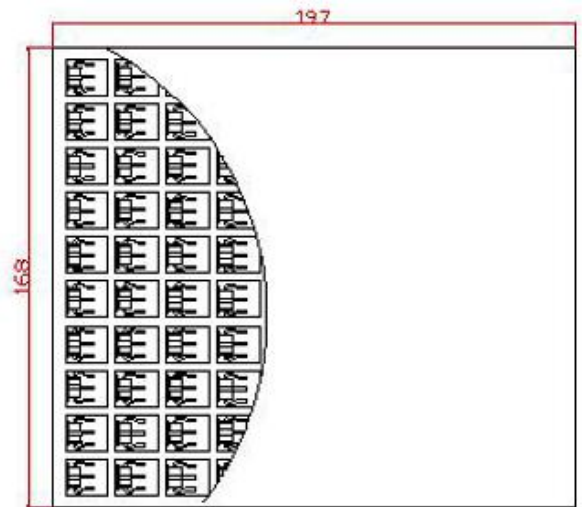
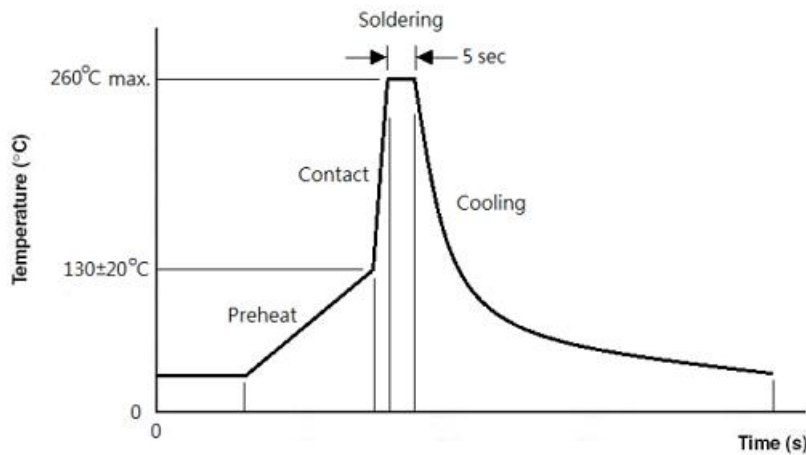
Storage temperature:	-40°C---+90°C
Operating temperature:	-40°C---+90°C
Wires Material:	Tin Plating
Body Material:	Ni Plating

Example Part Number: HA3R6-230HT

HA	=	HUAAN
3	=	3 Electrode device
R	=	Gas Discharge Tube
6	=	6mm Diameter
230	=	230V
H	=	High Surge GDT
T	=	Radial Lead Wire

Reflow Soldering Curve

Packaging Information



Packaging Quantity

Part Number	Quantity	
	Per Tray	Per Carton
HA3R6-230HT Series	100PCS	5000PCS