

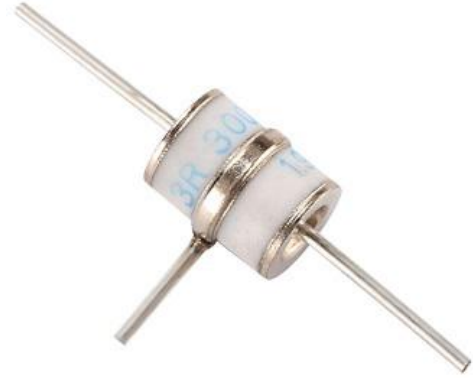
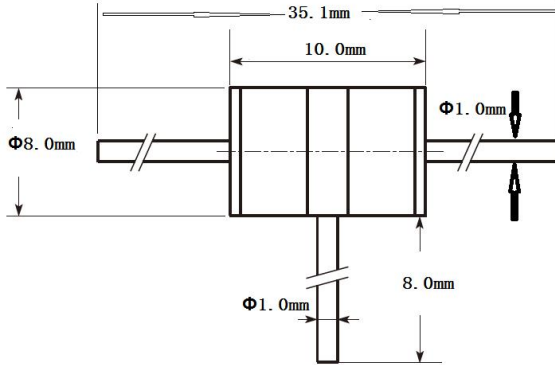
3-Electrode Gas Discharge Tubes

10KA

T Lead Wire



1: Dimension(mm)



2: Main Applications

- PCI Cards protection
- Telephone/Fax/Modem protection
- single line protection
- ADSL/XDSL Splitter, Power Supply
- Surge Protection Device/ Surge Protector

3: Features

- 100% Lead-Free (RoHS Compliant)
- Non-Radioactive
- Low capacitance: ≤1pF
- Small size : Φ8x10mm
- Safety certification: File number: E505240

4 Electrical Characteristics

| Part Number | DC Spark-over Voltage | Impulse Spark-over Voltage | Impulse Spark-over Voltage | Insulation Resistance | Impulse discharge current | Impulse Life | AC discharge current | Delivery time | UL Certificate |
|-------------|-----------------------|----------------------------|----------------------------|-----------------------|---------------------------|--------------|----------------------|---------------|----------------|
| | @100V/S | @100V/μs | @1KV/μs | GΩ | 10 Times | 10x1000μs | 10times | days | UL497B |
| HA3R8-75MT | 75V ±20% | ≤500V | ≤ 600V | >1GΩ | 10KA | 200A | 10A | 15days | E505240 |
| HA3R8-90MT | 90V ±20% | ≤500V | ≤ 600V | >1GΩ | 10KA | 200A | 10A | 15days | E505240 |
| HA3R8-140MT | 140V±20% | ≤500V | ≤ 600V | >1GΩ | 10KA | 200A | 10A | 15days | E505240 |
| HA3R8-150MT | 150V±20% | ≤500V | ≤ 600V | >1GΩ | 10KA | 200A | 10A | 15days | E505240 |
| HA3R8-200MT | 200V±20% | ≤600V | ≤ 700V | >1GΩ | 10KA | 200A | 10A | 15days | E505240 |
| HA3R8-230MT | 230V±20% | ≤600V | ≤ 700V | >1GΩ | 10KA | 200A | 10A | 15days | E505240 |
| HA3R8-250MT | 250V±20% | ≤600V | ≤ 700V | >1GΩ | 10KA | 200A | 10A | 15days | E505240 |
| HA3R8-300MT | 300V±20% | ≤800V | ≤ 900V | >1GΩ | 10KA | 200A | 10A | 15days | E505240 |
| HA3R8-350MT | 350V±20% | ≤900V | ≤ 1000V | >1GΩ | 10KA | 200A | 10A | 15days | E505240 |
| HA3R8-400MT | 400V±20% | ≤900V | ≤ 1000V | >1GΩ | 10KA | 200A | 10A | 15days | E505240 |
| HA3R8-420MT | 420V±20% | ≤900V | ≤ 1000V | >1GΩ | 10KA | 200A | 10A | 15days | E505240 |
| HA3R8-470MT | 470V±20% | ≤1100V | ≤ 1200V | >1GΩ | 10KA | 200A | 10A | 15days | E505240 |
| HA3R8-500MT | 500V±20% | ≤1100V | ≤ 1200V | >1GΩ | 10KA | 200A | 10A | 15days | E505240 |
| HA3R8-550MT | 550V±20% | ≤1300V | ≤ 1400V | >1GΩ | 10KA | 200A | 10A | 15days | E505240 |
| HA3R8-600MT | 600V±20% | ≤1300V | ≤1400V | >1GΩ | 10KA | 200A | 10A | 15days | E505240 |
| HA3R8-800MT | 800V±20% | ≤1500V | ≤1600V | >1GΩ | 10KA | 200A | 10A | 15days | --- |

3-Electrode Gas Discharge Tubes

10KA

1:At delivery AQL 0.65 leave II Military Standard 105 E

2:In ionized mode

3:Test according to ITU-T Rec.k.12

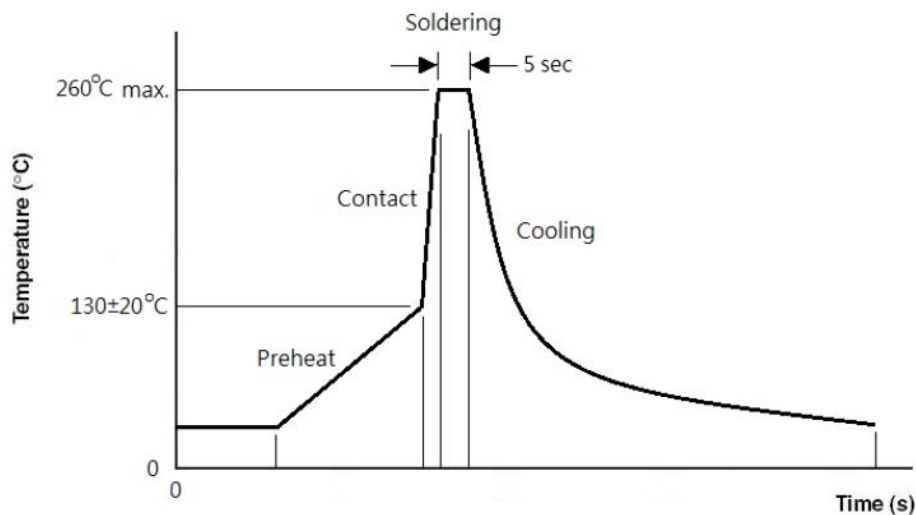
Environmental resistance

| | |
|------------------------|---------------|
| Storage temperature: | -40°C---+90°C |
| Operating temperature: | -40°C---+90°C |
| Electrode: | Tin Plated |

Example Part Number: HA3R8-90MT

| | | |
|----|---|---------------------------------------|
| HA | = | HUAAN |
| 3 | = | 3 Electrode device |
| R | = | Gas Discharge Tube |
| 8 | = | 8mm Diameter |
| 90 | = | 90V |
| M | = | Medium Surge 10KA GDT,Axial Lead Wire |
| T | = | T Lead Wire |

Reflow Soldering Curve



Packaging Quantity

| Part Number | Quantity | |
|--------------------|----------|------------|
| | Per Tray | Per Carton |
| HA3R8-xxxMT Series | 50PCS | 2500PCS |