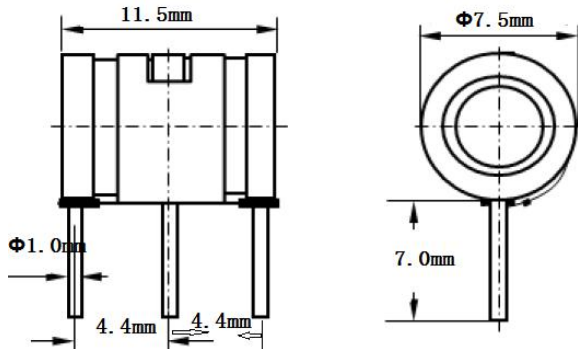


3-Electrode Gas Discharge Tubes

20KA

1: Dimension(mm)

Radial Lead Wire, With Fail Safe



2: Main Applications

- PCI Cards protection
- Telephone/Fax/Modem protection
- single line protection
- ADSL/XDSL Splitter, Power Supply
- Surge Protection Device/Surge Protector

3: Features

- 100% Lead-Free (RoHS Compliant)
- Non-Radioactive
- Low capacitance: ≤1pF
- Small size : Φ7.5x11.5mm
- Safety certification: File number: E505240

4 Electrical Characteristics

Part Number	DC Spark-over Voltage @100V/S	Impulse Spark-over Voltage @100V/μs	Impulse Spark-over Voltage @1KV/μs	Insulation Resistance GΩ	Impulse discharge current 8/20μs 10 Times	Impulse Life 300 hits 10x1000μs	AC discharge current 50Hz, 1s 10times	Delivery time days	UL Certificate UL497B
HA3R7-75HTF	75V ±20%	≤500V	≤ 600V	>1GΩ	20KA	200A	10A	15days	E505240
HA3R7-90HTF	90V ±20%	≤500V	≤ 600V	>1GΩ	20KA	200A	10A	15days	E505240
HA3R7-140HTF	140V±20%	≤500V	≤ 600V	>1GΩ	20KA	200A	10A	15days	E505240
HA3R7-150HTF	150V±20%	≤500V	≤ 600V	>1GΩ	20KA	200A	10A	15days	E505240
HA3R7-200HTF	200V±20%	≤600V	≤ 700V	>1GΩ	20KA	200A	10A	15days	E505240
HA3R7-230HTF	230V±20%	≤600V	≤ 700V	>1GΩ	20KA	200A	10A	15days	E505240
HA3R7-250HTF	250V±20%	≤600V	≤ 700V	>1GΩ	20KA	200A	10A	15days	E505240
HA3R7-300HTF	300V±20%	≤800V	≤ 900V	>1GΩ	20KA	200A	10A	15days	E505240
HA3R7-350HTF	350V±20%	≤900V	≤ 1000V	>1GΩ	20KA	200A	10A	15days	E505240
HA3R7-400HTF	400V±20%	≤900V	≤ 1000V	>1GΩ	20KA	200A	10A	15days	E505240
HA3R7-420HTF	420V±20%	≤900V	≤ 1000V	>1GΩ	20KA	200A	10A	15days	E505240
HA3R7-470HTF	470V±20%	≤1100V	≤ 1200V	>1GΩ	20KA	200A	10A	15days	E505240
HA3R7-500HTF	500V±20%	≤1100V	≤ 1200V	>1GΩ	20KA	200A	10A	15days	E505240
HA3R7-550HTF	550V±20%	≤1300V	≤ 1400V	>1GΩ	20KA	200A	10A	15days	E505240
HA3R7-600HTF	600V±20%	≤1300V	≤1400V	>1GΩ	20KA	200A	10A	15days	E505240
HA3R7-800HTF	800V±20%	≤1500V	≤1600V	>1GΩ	20KA	200A	10A	15days	E505240

3-Electrode Gas Discharge Tubes

20KA

1:At delivery AQL 0.65 leave II Military Standard 105 E

2:In ionized mode

3:Test according to ITU-T Rec.k.12

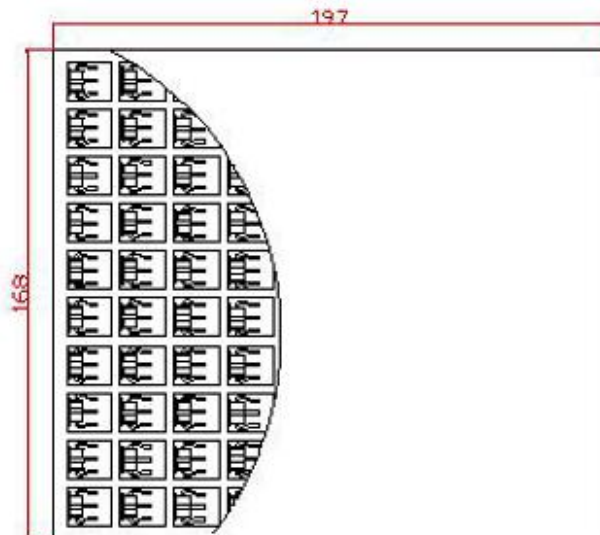
Environmental resistance

Storage temperature:	-40°C---+90°C
Operating temperature:	-40°C---+90°C
Electrode:	Tin Plated

Example Part Number: HA3R7-90HTF

HA	=	HUAAN
3	=	3 Electrode device
R	=	Gas Discharge Tube
7	=	7.5mm Diameter
90	=	90V
H	=	High Surge 20KA
T	=	3 Radial Lead Wire
F		With Fail Short mechanism

Packaging Information



Part Number	Series	Quantity	
		Per Tray	Per Carton
HA3R7-xxxHTF	Series	100PCS	5000PCS