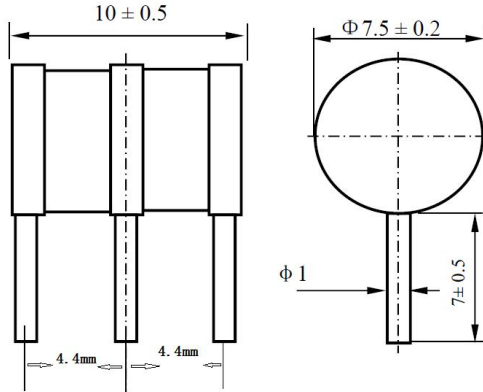


3-Electrode Gas Discharge Tubes 1: Dimension(mm)

20KA
Radial Lead Wire



2: Main Applications

- PCI Cards protection
- Telephone/Fax/Modem protection
- single line protection
- ADSL/XDSL Splitter, Power Supply
- Surge Protection Device/Surge Protector

3: Features

- 100% Lead-Free (RoHS Compliant)
- Non-Radioactive
- Low capacitance: ≤1pF
- Small size : Φ7.5x10mm
- Safety certification: File number: E505240

4 Electrical Characteristics

Part Number	DC Spark-over Voltage	Impulse Spark-over Voltage	Impulse Spark-over Voltage	Insulation Resistance	Impulse discharge current	Impulse Life	AC discharge current	Delivery time	UL Certificate
	@100V/S	@100V/μs	@1KV/μs	GΩ	10 Times	10x1000μs	10times	days	UL497B
HA3R7-75H	75V ±20%	≤500V	≤ 600V	>1GΩ	20KA	300A	20A	15days	E505240
HA3R7-90H	90V ±20%	≤500V	≤ 600V	>1GΩ	20KA	300A	20A	15days	E505240
HA3R7-140H	140V±20%	≤500V	≤ 600V	>1GΩ	20KA	300A	20A	15days	E505240
HA3R7-150H	150V±20%	≤500V	≤ 600V	>1GΩ	20KA	300A	20A	15days	E505240
HA3R7-200H	200V±20%	≤600V	≤ 700V	>1GΩ	20KA	300A	20A	15days	E505240
HA3R7-230H	230V±20%	≤600V	≤ 700V	>1GΩ	20KA	300A	20A	15days	E505240
HA3R7-250H	250V±20%	≤600V	≤ 700V	>1GΩ	20KA	300A	20A	15days	E505240
HA3R7-300H	300V±20%	≤800V	≤ 900V	>1GΩ	20KA	300A	20A	15days	E505240
HA3R7-350H	350V±20%	≤900V	≤ 1000V	>1GΩ	20KA	300A	20A	15days	E505240
HA3R7-400H	400V±20%	≤900V	≤ 1000V	>1GΩ	20KA	300A	20A	15days	E505240
HA3R7-420H	420V±20%	≤900V	≤ 1000V	>1GΩ	20KA	300A	20A	15days	E505240
HA3R7-470H	470V±20%	≤1100V	≤ 1200V	>1GΩ	20KA	300A	20A	15days	E505240
HA3R7-500H	500V±20%	≤1100V	≤ 1200V	>1GΩ	20KA	300A	20A	15days	E505240
HA3R7-550H	550V±20%	≤1300V	≤ 1400V	>1GΩ	20KA	300A	20A	15days	E505240
HA3R7-600H	600V±20%	≤1300V	≤1400V	>1GΩ	20KA	300A	20A	15days	E505240
HA3R7-800H	800V±20%	≤1500V	≤1600V	>1GΩ	20KA	300A	20A	15days	E505240

3-Electrode Gas Discharge Tubes

20KA

1:At delivery AQL 0.65 leave II Military Standard 105 E

2:In ionized mode

3:Test according to ITU-T Rec.k.12

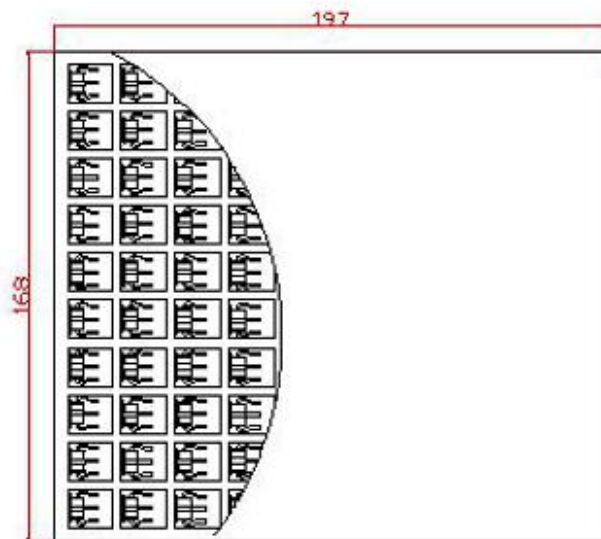
Environmental resistance

Storage temperature:	-40°C---+90°C
Operating temperature:	-40°C---+90°C
Electrode:	Tin Plated

Example Part Number: HA3R7-90H

HA	=	HUAAN
3	=	3 Electrode device
R	=	Gas Discharge Tube
7	=	7.5mm Diameter
90	=	90V
H	=	High Surge 20KA

Packaging Information



Packaging Quantity

Part Number	Quantity	
	Per Tray	Per Carton
HA3R7-xxxH Series	100PCS	5000PCS