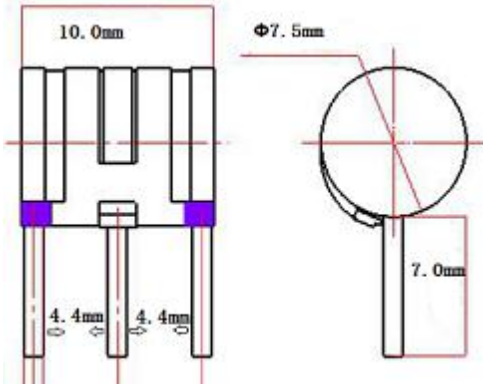


## 3-Electrode Gas Discharge Tubes

10KA

1: Dimension(mm)

Radial Lead Wire, With Fail Safe



### 2: Main Applications

- PCI Cards protection
- Telephone/Fax/Modem protection
- single line protection
- ADSL/XDSL Splitter, Power Supply
- Surge Protection Device/Surge Protector

### 3: Features

- 100% Lead-Free (RoHS Compliant)
- Non-Radioactive
- Low capacitance:  $\leq 1\text{pF}$
- Small size:  $\Phi 7.5 \times 10\text{mm}$
- Safety certification: File number: E505240

### 4 Electrical Characteristics

Part Number	DC Spark-over Voltage @100V/S	Impulse Spark-over Voltage @100V/ $\mu\text{s}$	Impulse Spark-over Voltage @1KV/ $\mu\text{s}$	Insulation Resistance G $\Omega$	Impulse discharge current 8/20 $\mu\text{s}$ 10 Times	Impulse Life 300 hits 10x1000 $\mu\text{s}$	AC discharge current 50Hz, 1s 10times	Delivery time days	UL Certificate UL497B
HA3R7-75MF2	75V $\pm 20\%$	$\leq 500\text{V}$	$\leq 600\text{V}$	$> 1\text{G}\Omega$	10KA	200A	10A	15days	E505240
HA3R7-90MF2	90V $\pm 20\%$	$\leq 500\text{V}$	$\leq 600\text{V}$	$> 1\text{G}\Omega$	10KA	200A	10A	15days	E505240
HA3R7-140MF2	140V $\pm 20\%$	$\leq 500\text{V}$	$\leq 600\text{V}$	$> 1\text{G}\Omega$	10KA	200A	10A	15days	E505240
HA3R7-150MF2	150V $\pm 20\%$	$\leq 500\text{V}$	$\leq 600\text{V}$	$> 1\text{G}\Omega$	10KA	200A	10A	15days	E505240
HA3R7-200MF2	200V $\pm 20\%$	$\leq 600\text{V}$	$\leq 700\text{V}$	$> 1\text{G}\Omega$	10KA	200A	10A	15days	E505240
HA3R7-230MF2	230V $\pm 20\%$	$\leq 600\text{V}$	$\leq 700\text{V}$	$> 1\text{G}\Omega$	10KA	200A	10A	15days	E505240
HA3R7-250MF2	250V $\pm 20\%$	$\leq 600\text{V}$	$\leq 700\text{V}$	$> 1\text{G}\Omega$	10KA	200A	10A	15days	E505240
HA3R7-300MF2	300V $\pm 20\%$	$\leq 800\text{V}$	$\leq 900\text{V}$	$> 1\text{G}\Omega$	10KA	200A	10A	15days	E505240
HA3R7-350MF2	350V $\pm 20\%$	$\leq 900\text{V}$	$\leq 1000\text{V}$	$> 1\text{G}\Omega$	10KA	200A	10A	15days	E505240
HA3R7-400MF2	400V $\pm 20\%$	$\leq 900\text{V}$	$\leq 1000\text{V}$	$> 1\text{G}\Omega$	10KA	200A	10A	15days	E505240
HA3R7-420MF2	420V $\pm 20\%$	$\leq 900\text{V}$	$\leq 1000\text{V}$	$> 1\text{G}\Omega$	10KA	200A	10A	15days	E505240
HA3R7-470MF2	470V $\pm 20\%$	$\leq 1100\text{V}$	$\leq 1200\text{V}$	$> 1\text{G}\Omega$	10KA	200A	10A	15days	E505240
HA3R7-500MF2	500V $\pm 20\%$	$\leq 1100\text{V}$	$\leq 1200\text{V}$	$> 1\text{G}\Omega$	10KA	200A	10A	15days	E505240
HA3R7-550MF2	550V $\pm 20\%$	$\leq 1300\text{V}$	$\leq 1400\text{V}$	$> 1\text{G}\Omega$	10KA	200A	10A	15days	E505240
HA3R7-600MF2	600V $\pm 20\%$	$\leq 1300\text{V}$	$\leq 1400\text{V}$	$> 1\text{G}\Omega$	10KA	200A	10A	15days	E505240
HA3R7-800MF2	800V $\pm 20\%$	$\leq 1500\text{V}$	$\leq 1600\text{V}$	$> 1\text{G}\Omega$	10KA	200A	10A	15days	E505240

## 3-Electrode Gas Discharge Tubes

10KA

1:At delivery AQL 0.65 leave II Military Standard 105 E

2:In ionized mode

3:Test according to ITU-T Rec.k.12

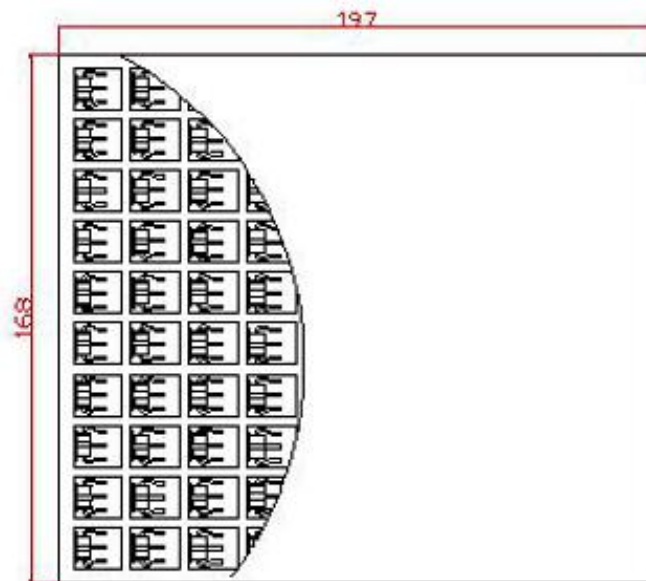
### Environmental resistance

Storage temperature:	-40°C---+90°C
Operating temperature:	-40°C---+90°C
Electrode:	Tin Plated

### Example Part Number: HA3R7-90MF2

HA	=	HUAAN
3	=	3 Electrode device
R	=	Gas Discharge Tube
7	=	7.5mm Diameter
90	=	90V
M	=	Medium Surge 10KA GDT,Radial Lead Wire
F2		With Fail Short mechanism on bottom

### Packaging Information



### Packaging Quantity

Part Number	Quantity	
	Per Tray	Per Carton
HA3R7-xxxMF2 Series	100PCS	5000PCS