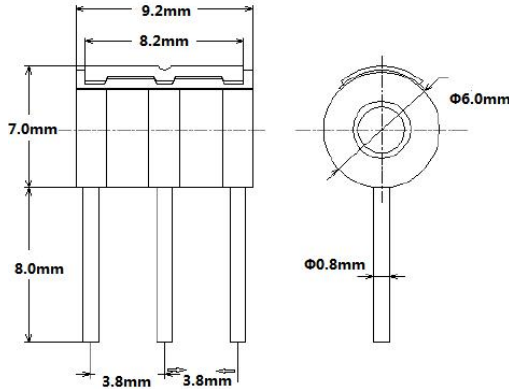


3-Electrode Gas Discharge Tubes

10KA

1: Dimension(mm)

Radial Lead Wire, With Fail Safe



2: Main Applications

- PCI Cards protection
- Telephone/Fax/Modem protection
- single line protection
- ADSL/XDSL Splitter, Power Supply
- Surge Protection Device/Surge Protector

3: Features

- 100% Lead-Free (RoHS Compliant)
- Non-Radioactive
- Low capacitance: $\leq 1\text{pF}$
- Small size : $\Phi 6 \times 9.2\text{mm}$
- Safety certification: File number: E505240

4 Electrical Characteristics

Part Number	DC Spark-over Voltage @100V/S	Impulse Spark-over Voltage @100V/ μs	Impulse Spark-over Voltage @1KV/ μs	Insulation Resistance G Ω	Impulse discharge current 8/20 μs 10 Times	Impulse Life 300 hits 10x1000 μs	AC discharge current 50Hz, 1s 10times	Delivery time days	UL Certificate UL497B
HA3R6-75MTF	75V $\pm 20\%$	$\leq 500\text{V}$	$\leq 600\text{V}$	$> 1\text{G}\Omega$	10KA	200A	10A	15days	E505240
HA3R6-90MTF	90V $\pm 20\%$	$\leq 500\text{V}$	$\leq 600\text{V}$	$> 1\text{G}\Omega$	10KA	200A	10A	15days	E505240
HA3R6-140MTF	140V $\pm 20\%$	$\leq 500\text{V}$	$\leq 600\text{V}$	$> 1\text{G}\Omega$	10KA	200A	10A	15days	E505240
HA3R6-150MTF	150V $\pm 20\%$	$\leq 500\text{V}$	$\leq 600\text{V}$	$> 1\text{G}\Omega$	10KA	200A	10A	15days	E505240
HA3R6-200MTF	200V $\pm 20\%$	$\leq 600\text{V}$	$\leq 700\text{V}$	$> 1\text{G}\Omega$	10KA	200A	10A	15days	E505240
HA3R6-230MTF	230V $\pm 20\%$	$\leq 600\text{V}$	$\leq 700\text{V}$	$> 1\text{G}\Omega$	10KA	200A	10A	15days	E505240
HA3R6-250MTF	250V $\pm 20\%$	$\leq 600\text{V}$	$\leq 700\text{V}$	$> 1\text{G}\Omega$	10KA	200A	10A	15days	E505240
HA3R6-300MTF	300V $\pm 20\%$	$\leq 800\text{V}$	$\leq 900\text{V}$	$> 1\text{G}\Omega$	10KA	200A	10A	15days	E505240
HA3R6-350MTF	350V $\pm 20\%$	$\leq 900\text{V}$	$\leq 1000\text{V}$	$> 1\text{G}\Omega$	10KA	200A	10A	15days	E505240
HA3R6-400MTF	400V $\pm 20\%$	$\leq 900\text{V}$	$\leq 1000\text{V}$	$> 1\text{G}\Omega$	10KA	200A	10A	15days	E505240
HA3R6-420MTF	420V $\pm 20\%$	$\leq 900\text{V}$	$\leq 1000\text{V}$	$> 1\text{G}\Omega$	10KA	200A	10A	15days	E505240
HA3R6-470MTF	470V $\pm 20\%$	$\leq 1100\text{V}$	$\leq 1200\text{V}$	$> 1\text{G}\Omega$	10KA	200A	10A	15days	E505240
HA3R6-500MTF	500V $\pm 20\%$	$\leq 1100\text{V}$	$\leq 1200\text{V}$	$> 1\text{G}\Omega$	10KA	200A	10A	15days	E505240
HA3R6-550MTF	550V $\pm 20\%$	$\leq 1300\text{V}$	$\leq 1400\text{V}$	$> 1\text{G}\Omega$	10KA	200A	10A	15days	E505240
HA3R6-600MTF	600V $\pm 20\%$	$\leq 1300\text{V}$	$\leq 1400\text{V}$	$> 1\text{G}\Omega$	10KA	200A	10A	15days	E505240
HA3R6-800MTF	800V $\pm 20\%$	$\leq 1500\text{V}$	$\leq 1600\text{V}$	$> 1\text{G}\Omega$	10KA	200A	10A	15days	E505240

4 Electrical Characteristics

Continue

Part Number	DC Holdover Voltage	On-State Voltage	Impulse discharge current 8/20μs	Peak Current @10/350μs	Weight
	Per ITU K.12 (<150ms)	Nominal @ 1A	1time	1time	g
HA3R6-75MTF	<52V	20V	10KA	2KA	~2g
HA3R6-90MTF	<52V	20V	10KA	2KA	~2g
HA3R6-140MTF	<80V	20V	10KA	2KA	~2g
HA3R6-150MTF	<80V	20V	10KA	2KA	~2g
HA3R6-200MTF	<135V	20V	10KA	2KA	~2g
HA3R6-230MTF	<135V	20V	10KA	2KA	~2g
HA3R6-250MTF	<135V	20V	10KA	2KA	~2g
HA3R6-300MTF	<150V	20V	10KA	2KA	~2g
HA3R6-350MTF	<150V	20V	10KA	2KA	~2g
HA3R6-400MTF	<150V	20V	10KA	2KA	~2g
HA3R6-420MTF	<150V	20V	10KA	2KA	~2g
HA3R6-470MTF	<150V	20V	10KA	2KA	~2g
HA3R6-500MTF	<150V	20V	10KA	2KA	~2g
HA3R6-550MTF	<150V	20V	10KA	2KA	~2g
HA3R6-600MTF	<150V	20V	10KA	2KA	~2g
HA3R6-800MTF	<150V	20V	10KA	2KA	~2g

1:At delivery AQL 0.65 leave II Military Standard 105 E

2:In ionized mode

3:Test according to ITU-T Rec.k.12

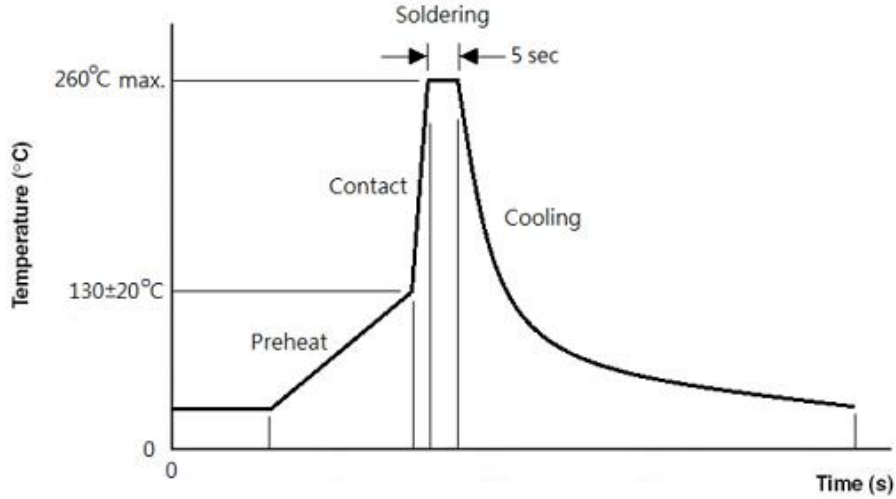
Environmental resistance

Storage temperature:	-40°C---+90°C
Operating temperature:	-40°C---+90°C
Electrode:	Tin Plated

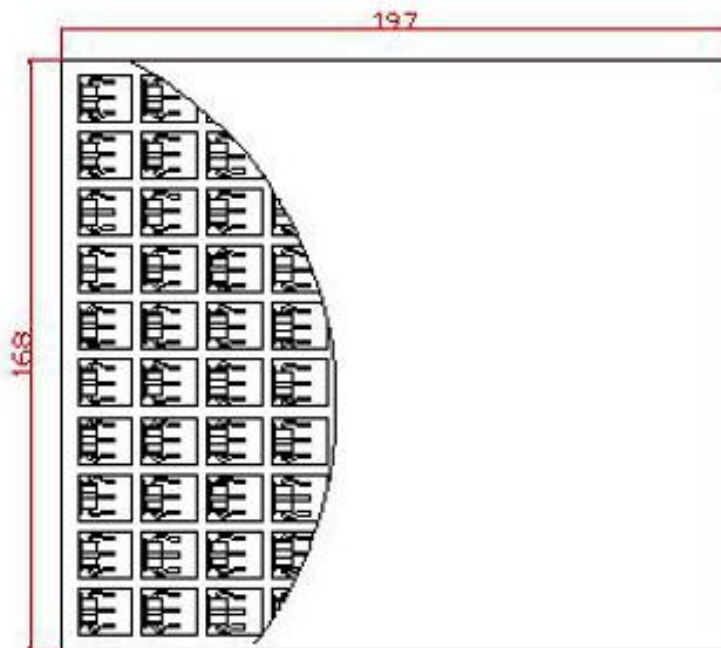
Example Part Number: HA3R6-90MTF

HA	=	HUAAN
3	=	3 Electrode device
R	=	Gas Discharge Tube
6	=	6mm Diameter
90	=	90V
M	=	Radial Lead Wire
T	=	Medium Surge
F	=	With Fail Short mechanism on top

Reflow Soldering Curve



Packaging Information



Packaging Quantity

Part Number	Quantity	
	Per Tray	Per Carton
HA3R6-xxxMTF Series	100PCS	5000PCS