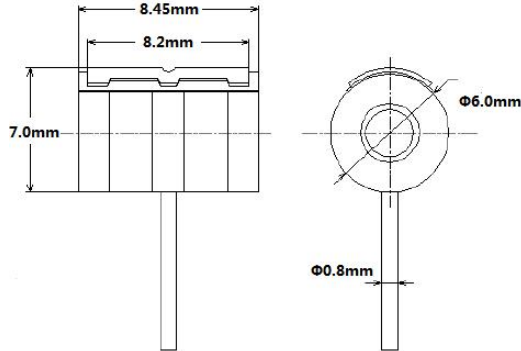


## 3-Electrode Gas Discharge Tubes

10KA

1: Dimension(mm)

One Lead Wire, With Fail wire



### 2: Main Applications

- PCI Cards protection
- Telephone/Fax/Modem protection
- single line protection
- ADSL/XDSL Splitter, Power Supply
- Surge Protection Device/Surge Protector

### 3: Features

- 100% Lead-Free (RoHS Compliant)
- Non-Radioactive
- Low capacitance: ≤1pF
- Small size : Φ6x8.45mm
- Safety certification: File number: E505240

### 4 Electrical Characteristics

Part Number	DC Spark-over Voltage	Impulse Spark-over Voltage	Impulse Spark-over Voltage	Insulation Resistance	Impulse discharge current	Impulse Life	AC discharge current	Delivery time	UL Certificate
	@100V/S	@100V/μs	@1KV/μs	GΩ	10 Times	10x1000μs	10times	days	UL497B
HA3R6-75TF1	75V ±20%	≤500V	≤ 600V	>1GΩ	10KA	200A	10A	15days	E505240
HA3R6-90TF1	90V ±20%	≤500V	≤ 600V	>1GΩ	10KA	200A	10A	15days	E505240
HA3R6-140TF1	140V±20%	≤500V	≤ 600V	>1GΩ	10KA	200A	10A	15days	E505240
HA3R6-150TF1	150V±20%	≤500V	≤ 600V	>1GΩ	10KA	200A	10A	15days	E505240
HA3R6-200TF1	200V±20%	≤600V	≤ 700V	>1GΩ	10KA	200A	10A	15days	E505240
HA3R6-230TF1	230V±20%	≤600V	≤ 700V	>1GΩ	10KA	200A	10A	15days	E505240
HA3R6-250TF1	250V±20%	≤600V	≤ 700V	>1GΩ	10KA	200A	10A	15days	E505240
HA3R6-300TF1	300V±20%	≤800V	≤ 900V	>1GΩ	10KA	200A	10A	15days	E505240
HA3R6-350TF1	350V±20%	≤900V	≤ 1000V	>1GΩ	10KA	200A	10A	15days	E505240
HA3R6-400TF1	400V±20%	≤900V	≤ 1000V	>1GΩ	10KA	200A	10A	15days	E505240
HA3R6-420TF1	420V±20%	≤900V	≤ 1000V	>1GΩ	10KA	200A	10A	15days	E505240
HA3R6-470TF1	470V±20%	≤1100V	≤ 1200V	>1GΩ	10KA	200A	10A	15days	E505240
HA3R6-500TF1	500V±20%	≤1100V	≤ 1200V	>1GΩ	10KA	200A	10A	15days	E505240
HA3R6-550TF1	550V±20%	≤1300V	≤ 1400V	>1GΩ	10KA	200A	10A	15days	E505240
HA3R6-600TF1	600V±20%	≤1300V	≤1400V	>1GΩ	10KA	200A	10A	15days	E505240
HA3R6-800TF1	800V±20%	≤1500V	≤1600V	>1GΩ	10KA	200A	10A	15days	E505240

## 3-Electrode Gas Discharge Tubes

10KA

1:At delivery AQL 0.65 leave II Military Standard 105 E

2:In ionized mode

3:Test according to ITU-T Rec.k.12

### Environmental resistance

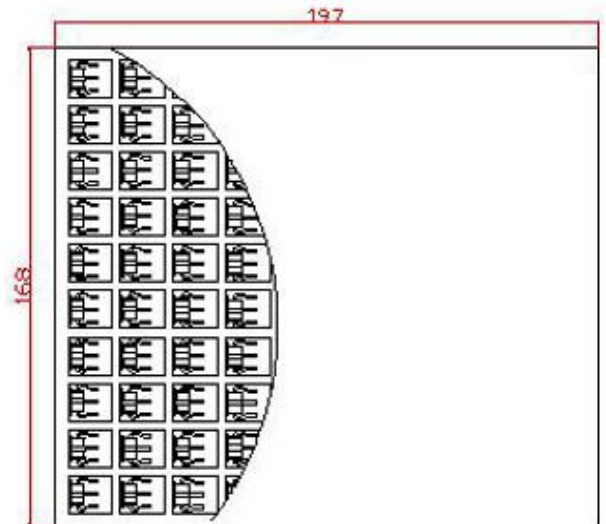
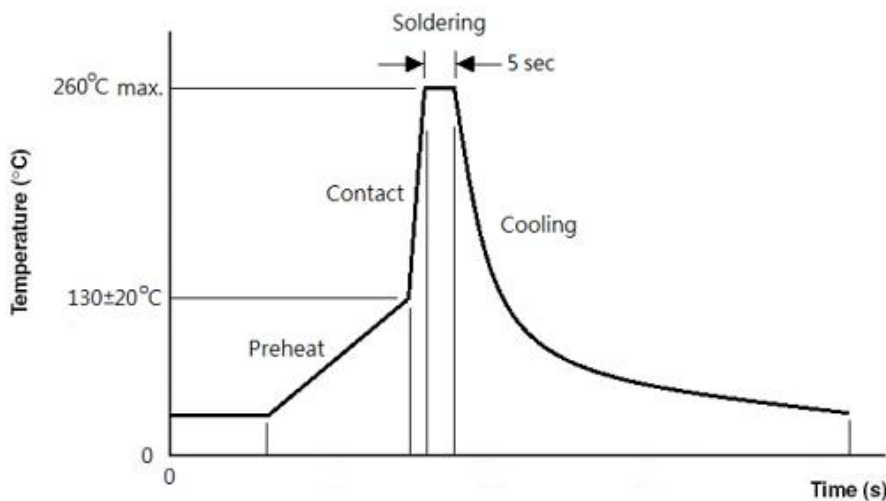
<b>Storage temperature:</b>	-40°C---+90°C
<b>Operating temperature:</b>	-40°C---+90°C
<b>Electrode:</b>	Tin Plated

### Example Part Number: HA3R6-90TF1

<b>HA</b>	=	<b>HUAAN</b>
<b>3</b>	=	<b>3 Electrode device</b>
<b>R</b>	=	<b>Gas Discharge Tube</b>
<b>6</b>	=	<b>6mm Diameter</b>
<b>90</b>	=	<b>90V</b>
<b>T</b>	=	<b>Medium Surge 10KA</b>
<b>F</b>	=	<b>With Fail Short mechanism on top</b>
<b>1</b>	=	<b>One Lead Wire</b>

### Reflow Soldering Curve

### Packaging Information



### Packaging Quantity

Part Number	Quantity	
	Per Tray	Per Carton
<b>HA3R6-xxxTF1 Series</b>	<b>100PCS</b>	<b>5000PCS</b>