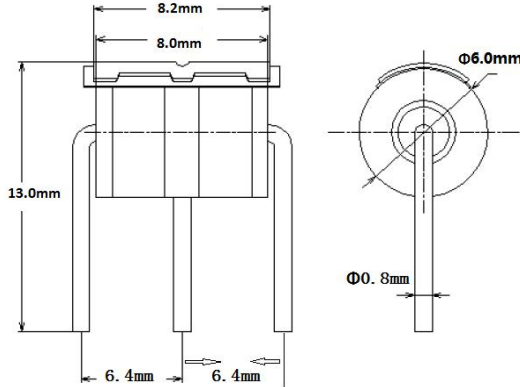


3-Electrode Gas Discharge Tubes

10KA

1: Dimension(mm)

Radial Lead wire,With Fail Safe



2:Main Applications

- PCI Cards protection
- Telephone/Fax/Modem protection
- single line protection
- ADSL/XDSL Splitter,Power Supply
- Surge Protection Device/Surge Protector

3:Features

- 100% Lead-Free(RoHs Compliant)
- Non-Radioactive
- Low capacitance: ≤1pF
- Small size :Φ6x8(mm)
- Safety certification: File number: E505240

4 Electrical Characteristics

Part Number	DC Spark-over Voltage	Impulse Spark-over Voltage	Impulse Spark-over Voltage	Insulation Resistance	Impulse discharge current	Impulse Life	AC discharge current	Delivery time	UL Certificate
	@100V/S	@100V/μs	@1KV/μs	GΩ	10 Times	10x1000μs	10times	days	UL497B
HA3R6-75MF	75V ±20%	≤500V	≤ 600V	>1GΩ	10KA	200A	10A	15days	E505240
HA3R6-90MF	90V ±20%	≤500V	≤ 600V	>1GΩ	10KA	200A	10A	15days	E505240
HA3R6-140MF	140V±20%	≤500V	≤ 600V	>1GΩ	10KA	200A	10A	15days	E505240
HA3R6-150MF	150V±20%	≤500V	≤ 600V	>1GΩ	10KA	200A	10A	15days	E505240
HA3R6-200MF	200V±20%	≤600V	≤ 700V	>1GΩ	10KA	200A	10A	15days	E505240
HA3R6-230MF	230V±20%	≤600V	≤ 700V	>1GΩ	10KA	200A	10A	15days	E505240
HA3R6-250MF	250V±20%	≤600V	≤ 700V	>1GΩ	10KA	200A	10A	15days	E505240
HA3R6-300MF	300V±20%	≤800V	≤ 900V	>1GΩ	10KA	200A	10A	15days	E505240
HA3R6-350MF	350V±20%	≤900V	≤ 1000V	>1GΩ	10KA	200A	10A	15days	E505240
HA3R6-400MF	400V±20%	≤900V	≤ 1000V	>1GΩ	10KA	200A	10A	15days	E505240
HA3R6-420MF	420V±20%	≤900V	≤ 1000V	>1GΩ	10KA	200A	10A	15days	E505240
HA3R6-470MF	470V±20%	≤1100V	≤ 1200V	>1GΩ	10KA	200A	10A	15days	E505240
HA3R6-500MF	500V±20%	≤1100V	≤ 1200V	>1GΩ	10KA	200A	10A	15days	E505240
HA3R6-550MF	550V±20%	≤1300V	≤ 1400V	>1GΩ	10KA	200A	10A	15days	E505240
HA3R6-600MF	600V±20%	≤1300V	≤1400V	>1GΩ	10KA	200A	10A	15days	E505240
HA3R6-800MF	800V±20%	≤1500V	≤1600V	>1GΩ	10KA	200A	10A	15days	E505240

3-Electrode Gas Discharge Tubes

10KA

1:At delivery AQL 0.65 leave II Military Standard 105 E

2:In ionized mode

3:Test according to ITU-T Rec.k.12

Environmental resistance

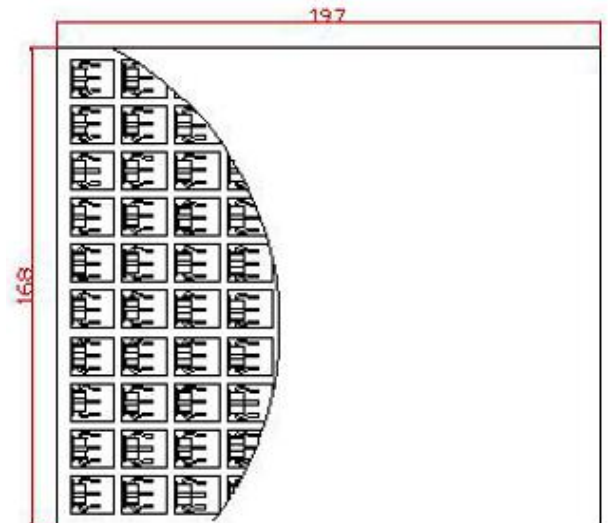
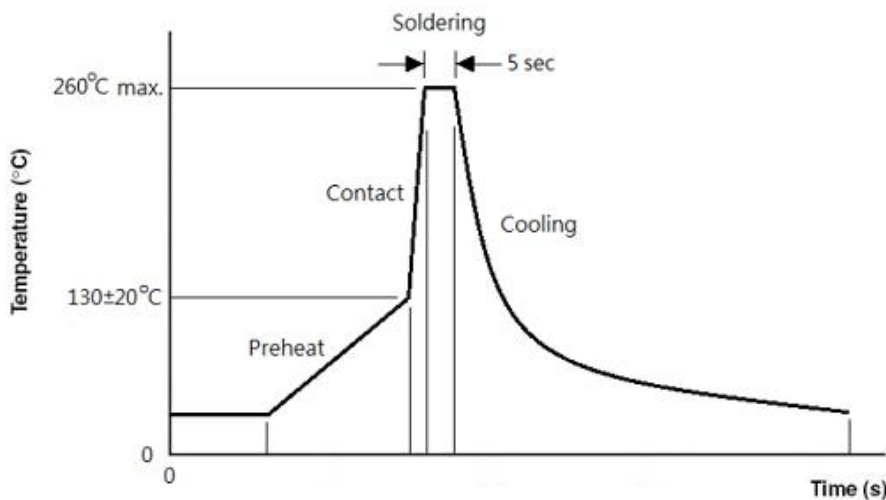
Storage temperature:	-40°C---+90°C
Operating temperature:	-40°C---+90°C
Electrode:	Tin Plated

Example Part Number: HA3R6-90MF

HA	=	HUAAN
3	=	3 Electrode device
R	=	Gas Discharge Tube
6	=	6mm Diameter
90	=	90V
M	=	6.4mm Lead Pitch
F	=	With Fail-Short mechanism

Reflow Soldering Curve

Packaging Information



Packaging Quantity

Part Number	Quantity	
	Per Tray	Per Carton
HA3R6-xxxMF Series	100PCS	5000PCS