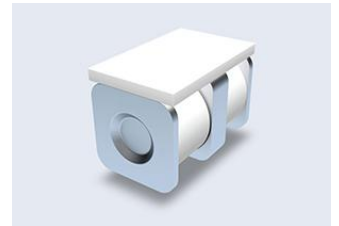
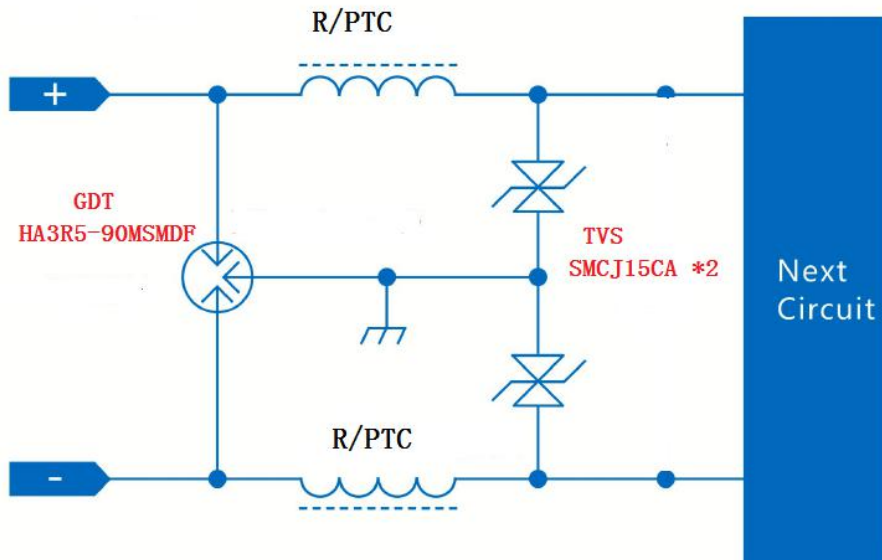


▼RS485 Solution:

Surge level: 8/20μS- CM/DM 5KA



Specification.....

Part Number	DC Spark-over Voltage @ 100V/S	Impulse Spark-over Voltage @1KV/μs	Insulation Resistance	Impulse discharge current(8/20μs)	AC discharge current (50Hz,1s,10times)	Capacitance (1MHz)	UL file number
GDT	V	V	GΩ	10 Times	A	PF	✓
HA3R5-90MSMDF	90±20%	≤ 600	>1	10KA	10	≤1	E505240

Part Number	Vbr	Ir	Vrwm	Ipp	Vc	Package
TVS	V	uA	V	A	V	
SMCJ15CA	16.7-18.5	1	15	61.5	24.4	SMC

We focus on development, production,distribution of GDT,TSS.MOV,TVS,ESD TVS,PTC component.We have laboratories of EMC,aiming to provide total turnkey service of surge/ESD test and circuit PCB improvement.

sales@huaandz.com