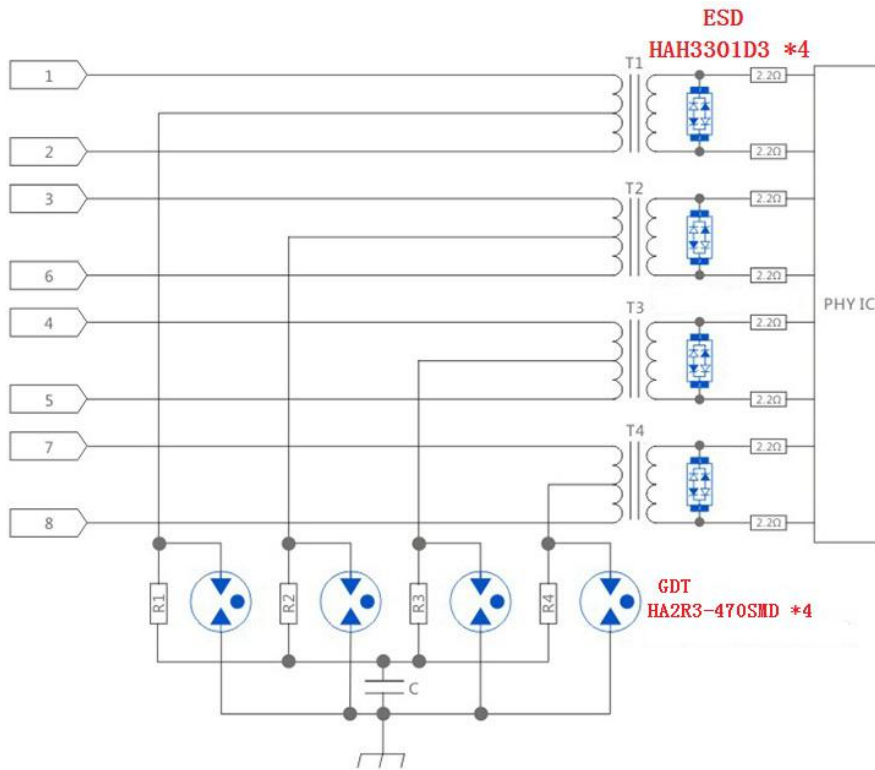


## ▼RJ45 Solution:

Surge level: 10/700μs CM/DM 6KV



## Specification.....

Part Number	VRWM	VBR	Co Typical value	Vc @1A	Ppp 8/20us	Package	ESD Air / Contact
ESD TVS	V	V	pF	V max	W		
<b>HAH3301D3</b>	<b>3.3</b>	<b>4</b>	<b>1</b>	<b>7.0</b>	<b>350</b>	<b>SOD-323</b>	<b>±8kV / ±15kV</b>

We focus on development, production,distribution of GDT,TSS.MOV,TVS,ESD,PTC component.We have laboratories of EMC,aiming to

Part Number	DC Spark-over Voltage@ 100V/S	Impulse Spark- over Voltage @1KV/μs	Insulation Resistance	Impulse dischar ge current(8/20 μs)	AC discharge current(50Hz, 1s,10times)	Capacit ance (1MHz)	UL file number
GDT	V	V	GΩ	10 Times	A	PF	√
<b>HA2R3-470SMD</b>	<b>470±20%</b>	<b>≤ 900</b>	<b>&gt;1</b>	<b>2KA</b>	<b>2</b>	<b>≤1</b>	<b>E505240</b>

provide total turnkey service of surge/ESD test and circuit PCB improvement.

[sales@huaandz.com](mailto:sales@huaandz.com)