

1-Line Bi-directional Ultra low capacitance TVS Diode Array

APPLICATION

- ◆ Cellular Handsets and Accessories
- ◆ Display Ports
- ◆ MDDI Ports
- ◆ USB Ports
- ◆ Digital Visual Interface (DVI)
- ◆ PCI Express and Serial SATA Ports



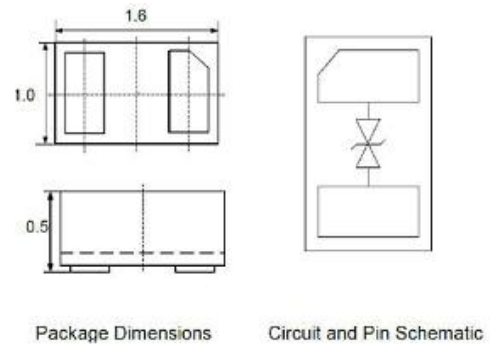
IEC COMPATIBILITY

Package: DFN1610

- ◆ IEC61000-4-2 (ESD) ±15kV (air), ±8kV (contact)
- ◆ IEC61000-4-5 (Lightning)4A (8/20uS)

FEATURES

- ◆ Ultra small package: 1.6x1.0x0.5mm
- ◆ Ultra low capacitance: 0.3 pF typical
- ◆ Protects one data or power line
- ◆ Working voltage: 5V
- ◆ 2-pin leadless package



Electrical Characteristics

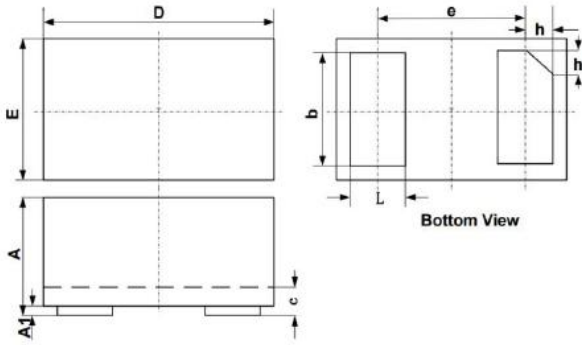
Parameter	Symbol	Value	Unit
Peak Pulse Power (tp=8/20μs waveform)	P _{ppp}	100	W
Peak Pulse Current (8/20μs)	I _{pp}	4	A
ESD per IEC 61000-4-2 (Air)	V _{ESD}	±15	kV
ESD per IEC 61000-4-2 (Contact)		±8	
Operating Temperature Range	T _J	-55 to +125	°C
Storage Temperature Range	T _{stg}	-55 to +150	°C

Part Number	VRWM	VBR	IR (max)	Co Max value	Vc @1A Max	Vc @ 4A Max	Ipp@8/20us	Ppp 8/20us	Delivery Time
	V	V	(uA)	pF	V	V	A max	W	Days
HAH0501P6	5	6	0.2	0.5	12	20	4	100	7days

1-Line Bi-directional Ultra low capacitance TVS Diode Array



Package Mechanical Data



SYM	DIMENSIONS					
	MILLIMETERS			INCHES		
	MIN	NOM	MAX	MIN	NOM	MAX
A	0.45	0.50	0.55	0.018	0.020	0.022
A1	0.00	0.02	0.05	0.000	0.001	0.002
b	0.75	0.80	0.85	0.030	0.032	0.034
c	0.10	0.15	0.20	0.004	0.006	0.007
D	1.55	1.60	1.65	0.062	0.064	0.066
e	1.10 BSC			0.044 BSC		
E	0.95	1.00	1.05	0.038	0.040	0.042
L	0.35	0.40	0.45	0.014	0.016	0.018
h	0.15	0.20	0.25	0.006	0.008	0.010

Ordering Information

Part Number	Qty per Reel	Reel Size	Package	Delivery Time
HAH0501P6	3000pcs	7inch	DFN1610	7days

Specifications are subject to change without notice

2

Tel: +86-755-27465585

HUAAN LIMITED

www.huaandz.com

Email: sales@huaandz.com