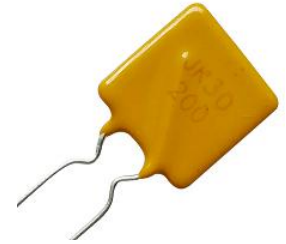
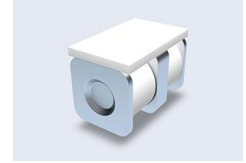
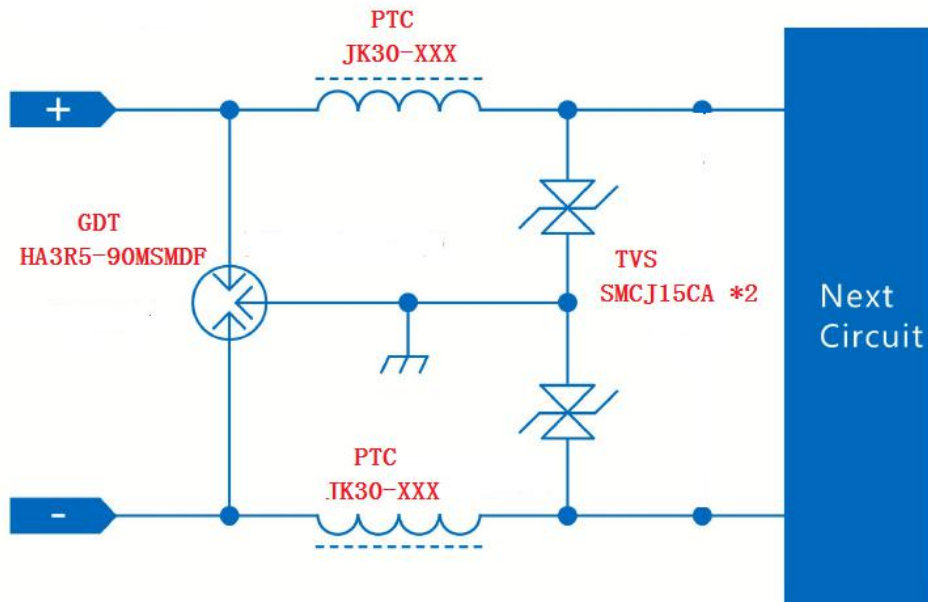


## ▼ALARM Solution:

Surge level: 8/20μS- CM/DM 5KA



## Specification.....

| Part Number          | DC Spark-over Voltage @ 100V/S | Impulse Spark-over Voltage @1KV/μs | Insulation Resistance | Impulse discharge current(8/20μs) | AC discharge current (50Hz,1s,10times) | Capacitance (1MHz) | UL file number |
|----------------------|--------------------------------|------------------------------------|-----------------------|-----------------------------------|--|--------------------|----------------|
| <b>GDT</b>           | V                              | V                                  | GΩ                    | 10 Times                          | A                                      | PF                 | √              |
| <b>HA3R5-90MSMDF</b> | 90±20%                         | ≤ 600                              | >1                    | 10KA                              | 10                                     | ≤1                 | <b>E505240</b> |

| Part Number     | Vbr              | Ir       | Vrwm      | Ipp         | Vc          | Package |
|-----------------|------------------|----------|-----------|-------------|-------------|---------|
| <b>TVS</b>      | V                | uA       | V         | A           | V           |         |
| <b>SMCJ15CA</b> | <b>16.7-18.5</b> | <b>1</b> | <b>15</b> | <b>61.5</b> | <b>24.4</b> | SMC     |

We focus on development, production,distribution of GDT,TSS.MOV,TVS,ESD TVS,PTC component.We have laboratories of EMC,aiming to provide total turnkey service of surge/ESD test and circuit PCB improvement.

[sales@huaandz.com](mailto:sales@huaandz.com)