

## Stacked Gas Discharge Tubes

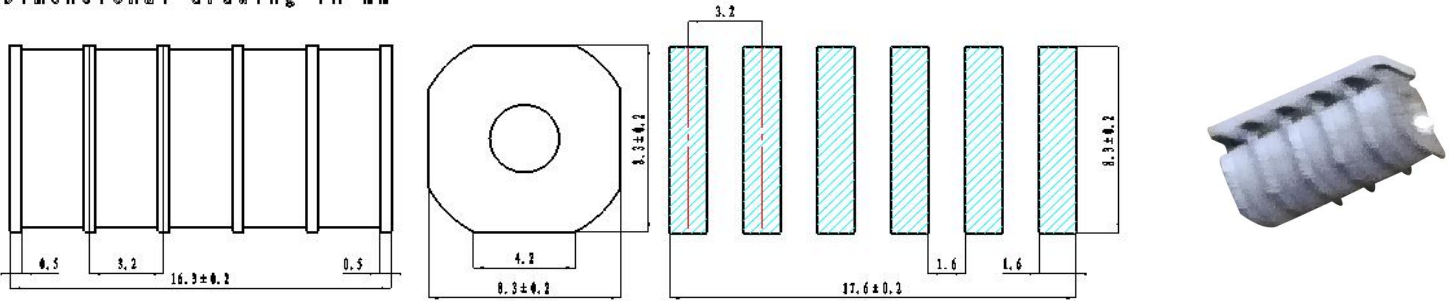
## H6R8-800HSMD2

### 1: Applications

- DC Power supply protection 48V ,60V

### 2: Dimension in mm

Dimensional drawing in mm



## Specification of H6R8-800HSMD2

Nominal DC spark-over voltage (100V/s) <sup>1)2)</sup>	600~1100V
Maximum impulse spark-over voltage @1.2/50 μ s-8/20 μ s 6kv/3KA	
-initial	<2300V
- after service life	<3000V
Service life	
10operations [5x (+) & 5x (-)]	8/20 μ s 20KA
10operations [5x (+) & 5x (-)]	10/350 μ s 4KA
DC working voltage	60V <sub>DC</sub> ±20%
Follow current behaviour 50/60HZ 275Vrms	200A <sub>peak</sub>
Insulation resistance @DC100V	1000MΩ
capacitance at 1MHz	<1pF
Weight	~ 5g
Delivery time	21days
Operation and storage temperature	-40℃ ... +90℃
Climatic category (IEC 60068-1)	40/90/21
1) At delivery AQL 0.65 level II Military Standard 105E.	
2)In ionized mode Test according to IEC 61643.11	

Circuit diagram( C1 to C2 = each capacitor 100 pF to 470 pF )

