

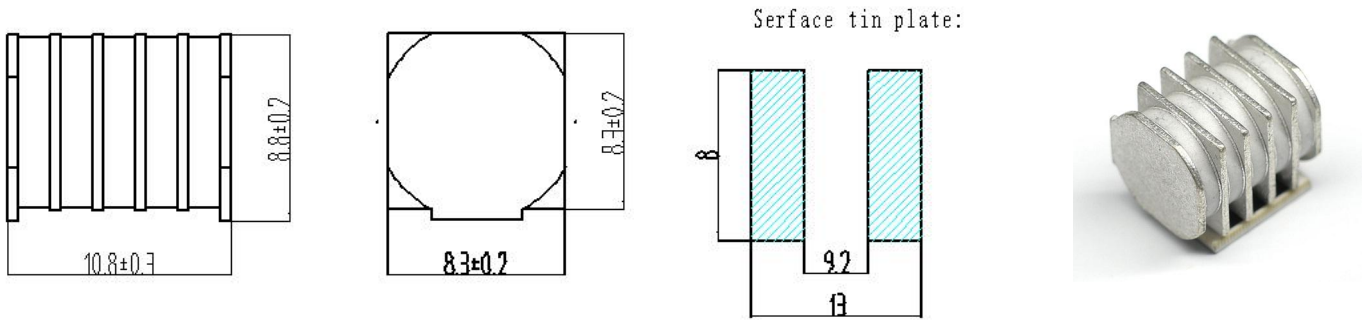
Stacked Gas Discharge Tubes

H6R8-350HSMD

1: Applications

- DC Power supply protection 48V

2: Dimension in mm



Specification of H6R8-350HSMD

| | |
|--|-------------------|
| Nominal Dc spark-over voltage (100V/s) ¹⁾²⁾ (A-B) | ≥350V |
| Maximum impulse spark-over voltage @100V/μs (A-B) | 2000V |
| Impulse discharge current (8/20μs 10 times) | 20KA |
| DC working voltage (3000A . H) | 60V _{Dc} |
| Maximum DC working voltage (3000A. H) | 70V _{Dc} |
| Arc voltage @1A | >60V |
| Insulation resistance @DC100V | 1000MΩ |
| capacitance at 1MHz | <1pF |
| Weight | ~ 3g |
| Delivery time | 21days |
| Operation and storage temperature | -40℃ ... +90℃ |
| Climatic category (IEC 60068-1) | 40/90/21 |
| 1) At delivery AQL 0.65 level II Military Standard 105E. 2) In ionized mode , Test according to ITU-T Rec. K.12 | |

Circuit diagram(C1 to C2 = each capacitor 100 pF to 470 pF)

