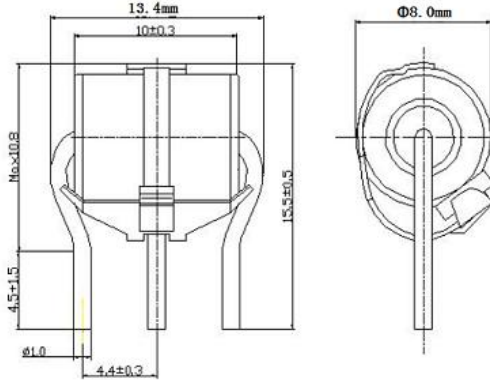


## 3-Electrode Gas Discharge Tubes

20KA

### 1: Dimension(mm)

Radial Lead wire,With Fail safe



### 2:Main Applications

- PCI Cards protection
- Telephone/Fax/Modem protection
- single line protection
- ADSL/XDSL Splitter,Power Supply
- Surge Protection Device/Surge Protector

### 3:Features

- 100% Lead-Free(RoHs Compliant )
- Non-Radioactive
- Low capacitance: ≤1pF
- Small size :Φ8x10mm
- Safety certification: File number: E505240

### 4 Electrical Characteristics

Part Number	DC Spark-over Voltage @100V/S	Impulse Spark-over Voltage @100V/μs	Impulse Spark-over Voltage @1KV/μs	Insulation Resistance GΩ	Impulse discharge current 8/20μs 10 Times	Impulse Life 300 hits 10x1000μs	AC discharge current 50Hz,1s 10times	Delivery time days	UL Certificate UL497B
HA3R8-75HF1	75V ±20%	≤500V	≤ 600V	>1GΩ	20KA	200A	20A	15days	E505240
HA3R8-90HF1	90V ±20%	≤500V	≤ 600V	>1GΩ	20KA	200A	20A	15days	E505240
HA3R8-140HF1	140V±20%	≤500V	≤ 600V	>1GΩ	20KA	200A	20A	15days	E505240
HA3R8-150HF1	150V±20%	≤500V	≤ 600V	>1GΩ	20KA	200A	20A	15days	E505240
HA3R8-200HF1	200V±20%	≤600V	≤ 700V	>1GΩ	20KA	200A	20A	15days	E505240
HA3R8-230HF1	230V±20%	≤600V	≤ 700V	>1GΩ	20KA	200A	20A	15days	E505240
HA3R8-250HF1	250V±20%	≤600V	≤ 700V	>1GΩ	20KA	200A	20A	15days	E505240
HA3R8-300HF1	300V±20%	≤800V	≤ 900V	>1GΩ	20KA	200A	20A	15days	E505240
HA3R8-350HF1	350V±20%	≤900V	≤ 1000V	>1GΩ	20KA	200A	20A	15days	E505240
HA3R8-400HF1	400V±20%	≤900V	≤ 1000V	>1GΩ	20KA	200A	20A	15days	E505240
HA3R8-420HF1	420V±20%	≤900V	≤ 1000V	>1GΩ	20KA	200A	20A	15days	E505240
HA3R8-470HF1	470V±20%	≤1100V	≤ 1200V	>1GΩ	20KA	200A	20A	15days	E505240
HA3R8-500HF1	500V±20%	≤1100V	≤ 1200V	>1GΩ	20KA	200A	20A	15days	E505240
HA3R8-550HF1	550V±20%	≤1300V	≤ 1400V	>1GΩ	20KA	200A	20A	15days	E505240
HA3R8-600HF1	600V±20%	≤1300V	≤1400V	>1GΩ	20KA	200A	20A	15days	E505240
HA3R8-800HF1	800V±20%	≤1500V	≤1600V	>1GΩ	20KA	200A	20A	15days	E505240

## 3-Electrode Gas Discharge Tubes

20KA

1:At delivery AQL 0.65 leave II Military Standard 105 E

2:In ionized mode

3:Test according to ITU-T Rec.k.12

### Environmental resistance

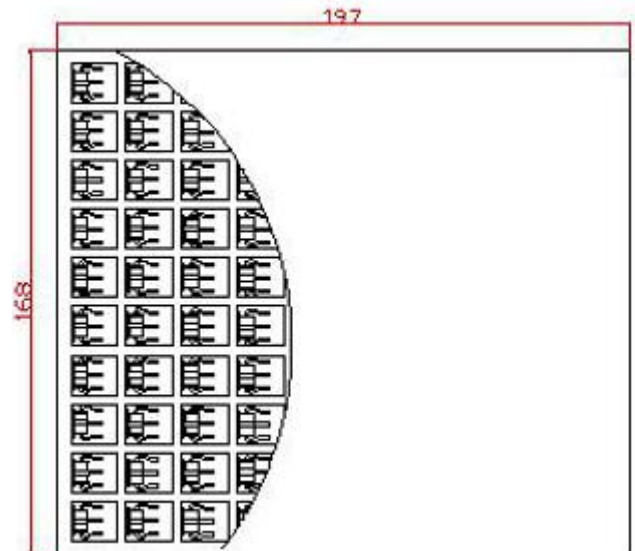
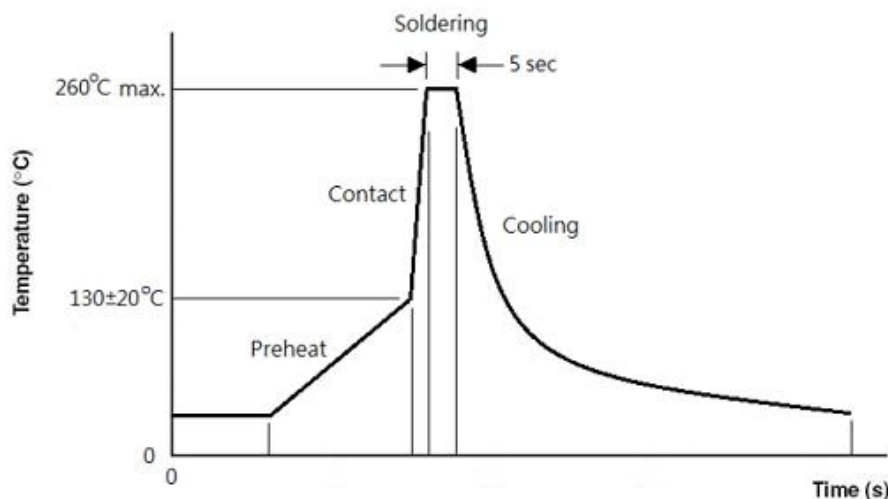
Storage temperature:	-40°C---+90°C
Operating temperature:	-40°C---+90°C
Electrode:	Tin Plated

### Example Part Number: HA3R8-90HF1

HA	=	HUAAN
3	=	3 Electrode device
R	=	Gas Discharge Tube
8	=	8mm Diameter
90	=	90V
H	=	High Surge 20KA
F	=	With Fail Short mechanism
1		Fail short mechanism on bottom

### Reflow Soldering Curve

### Packaging Information



### Packaging Quantity

Part Number	Quantity	
	Per Tray	Per Carton
HA3R8-xxxHF1 Series	100PCS	5000PCS