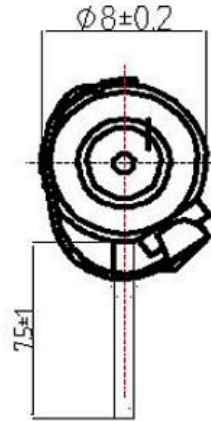
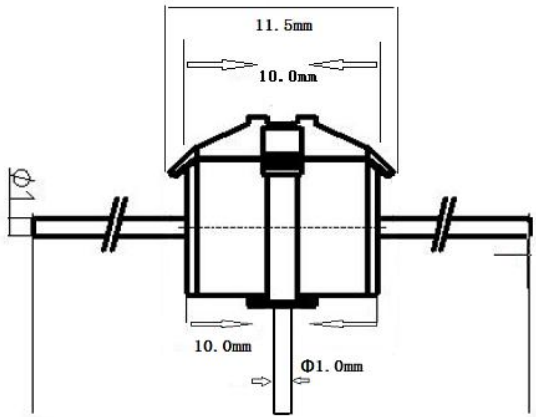


## 3-Electrode Gas Discharge Tubes

10KA

1: Dimension(mm)

T Lead Wire, With Fail Safe



### 2: Main Applications

- PCI Cards protection
- Telephone/Fax/Modem protection
- single line protection
- ADSL/XDSL Splitter, Power Supply
- Surge Protection Device/Surge Protector

### 3: Features

- 100% Lead-Free (RoHS Compliant)
- Non-Radioactive
- Low capacitance: ≤1pF
- Small size : Φ8x10mm
- Safety certification: File number: E505240

Part Number	DC Spark-over Voltage @100V/S	Impulse Spark-over Voltage @100V/μs	Impulse Spark-over Voltage @1KV/μs	Insulation Resistanc e GΩ	Impulse disch arge current 8/20μs 10 Times	Impulse Life 300 hits 10x1000μs	AC dischar ge current 50Hz, 1s 10times	Delivery time days	UL Certificate UL497B
HA3R8-75MTF2	75V ±20%	≤500V	≤ 600V	>1GΩ	10KA	200A	10A	15days	E505240
HA3R8-90MTF2	90V ±20%	≤500V	≤ 600V	>1GΩ	10KA	200A	10A	15days	E505240
HA3R8-140MTF2	140V±20%	≤500V	≤ 600V	>1GΩ	10KA	200A	10A	15days	E505240
HA3R8-150MTF2	150V±20%	≤500V	≤ 600V	>1GΩ	10KA	200A	10A	15days	E505240
HA3R8-200MTF2	200V±20%	≤600V	≤ 700V	>1GΩ	10KA	200A	10A	15days	E505240
HA3R8-230MTF2	230V±20%	≤600V	≤ 700V	>1GΩ	10KA	200A	10A	15days	E505240
HA3R8-250MTF2	250V±20%	≤600V	≤ 700V	>1GΩ	10KA	200A	10A	15days	E505240
HA3R8-300MTF2	300V±20%	≤800V	≤ 900V	>1GΩ	10KA	200A	10A	15days	E505240
HA3R8-350MTF2	350V±20%	≤900V	≤ 1000V	>1GΩ	10KA	200A	10A	15days	E505240
HA3R8-400MTF2	400V±20%	≤900V	≤ 1000V	>1GΩ	10KA	200A	10A	15days	E505240
HA3R8-420MTF2	420V±20%	≤900V	≤ 1000V	>1GΩ	10KA	200A	10A	15days	E505240
HA3R8-470MTF2	470V±20%	≤1100V	≤ 1200V	>1GΩ	10KA	200A	10A	15days	E505240
HA3R8-500MTF2	500V±20%	≤1100V	≤ 1200V	>1GΩ	10KA	200A	10A	15days	E505240
HA3R8-550MTF2	550V±20%	≤1300V	≤ 1400V	>1GΩ	10KA	200A	10A	15days	E505240
HA3R8-600MTF2	600V±20%	≤1300V	≤1400V	>1GΩ	10KA	200A	10A	15days	E505240
HA3R8-800MTF2	800V±20%	≤1500V	≤1600V	>1GΩ	10KA	200A	10A	15days	E505240

## 3-Electrode Gas Discharge Tubes

10KA

1:At delivery AQL 0.65 leave II Military Standard 105 E

2:In ionized mode

3:Test according to ITU-T Rec.k.12

### Environmental resistance

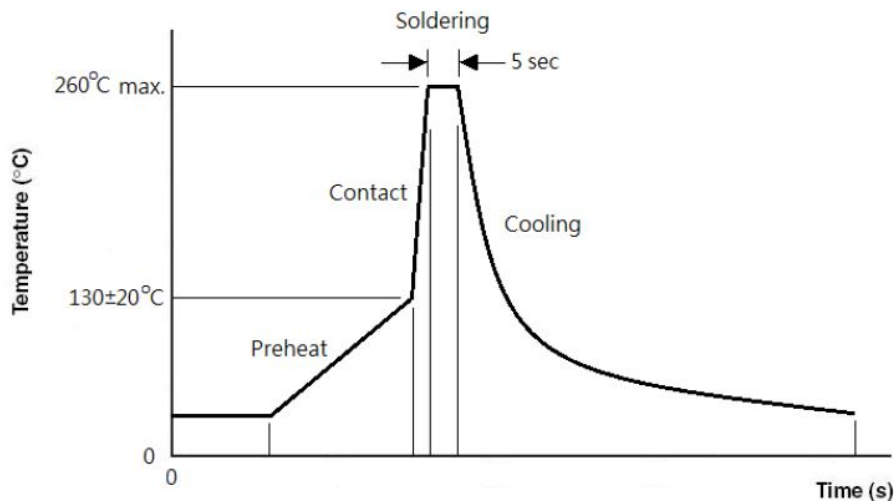
Storage temperature:	-40°C---+90°C
Operating temperature:	-40°C---+90°C
Electrode:	Tin Plated

### Example Part Number: HA3R8-90MTF2

HA	=	HUAAN
3	=	3 Electrode device
R	=	Gas Discharge Tube
8	=	8mm Diameter
90	=	90V
M	=	Medium Surge 10KA
T	=	T Lead Wire
F	=	With Fail Short mechanism
2	=	fail short mechanism on top

### Reflow Soldering Curve

### Packaging Information



### Packaging Quantity

Part Number	Quantity	
	Per Tray	Per Carton
HA3R8-xxxMTF2 Series	50PCS	2500PCS