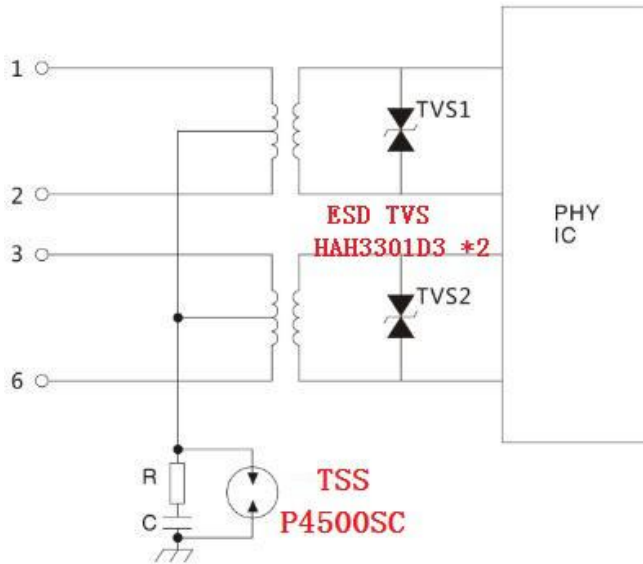


▼RJ45 10/100M Ethernet Solution:

Surge level: 10/700μs CM/DM 6KV



Specification.....

| Part Number | VRWM | VBR | Co Typical value | Vc @1A | Ppp 8/20us | Package | ESD Air / Contact |
|------------------|------------|----------|---------------------|------------------|---------------|----------------|----------------------|
| ESD TVS | V | V | pF | V _{max} | W | | |
| HAH3301D3 | 3.3 | 4 | 1 | 7.0 | 350 | SOD-323 | ±8kV / ±15kV |

| Part Number | V _{DRM} @IDRM=5 μ A | V _S @100V/μs | I _T | V _T @IT=2.2Amps | Capacitance @1MHz,2V bias | impulse withstand voltage | Package |
|----------------|---------------------------------|----------------------------|----------------|-------------------------------|------------------------------|------------------------------|---------|
| TSS * 2 | V _{min} | V _{max} | A | V _{max} | pF | 10/700us | |
| P4500SC | 420 | 540 | 2.2 | 4 | 45 | 6KV | SMB |

We focus on development, production,distribution of GDT,TSS.MOV,TVS,ESD,PTC component.We have laboratories of EMC,aiming to provide total turnkey service of surge/ESD test and circuit PCB improvement.

sales@huaandz.com