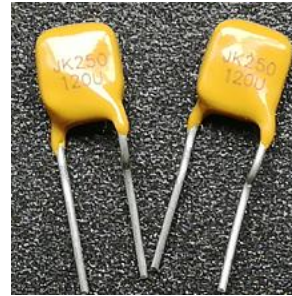
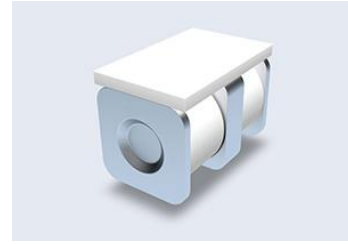
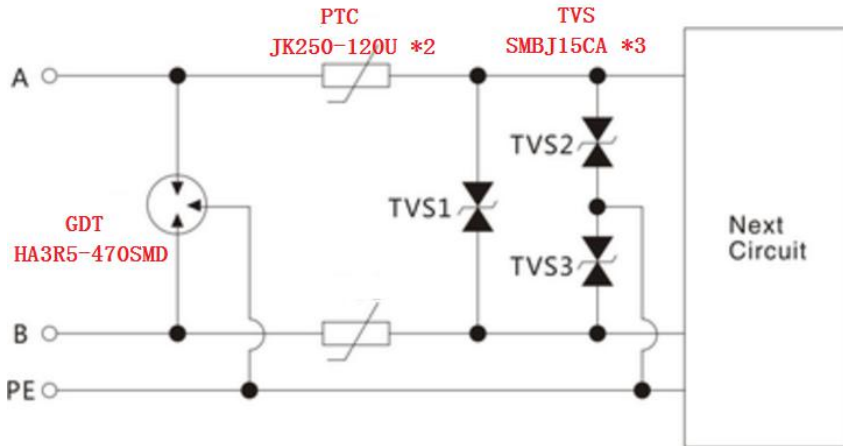


▼RS232 Solution:

Surge level: 8/20 μ S- CM/DM 5KA



Specification.....

Part Number	DC Voltage @ 100V/S	Spark-over V	Insulation Resistance G Ω	Impulse discharge current(8/20 μ s) 10 Times	AC discharge current (50Hz,1s,10times) A	Capacitance (1MHz) PF	UL file number
GDT		V	G Ω	10 Times	A	PF	✓
HA3R5-470SMD	470 \pm 20%		>1	5KA	5	\leq 1	E505240

Part Number	Vbr	I _r	V _{rw}	I _{pp}	V _c	Package
TVS	V	μ A	V	A	V	
SMBJ15CA	16.7-18.5	1	15	24.6	24.4	SMB

Part Number	V _{max}	I _{max}	I _h	R _{max}	R _{min}	P _d
PTC	V	A	A	Ω	Ω	w
JK250-120U	250	10	0.12	11	6	0.8

We focus on development, production,distribution of GDT,TSS.MOV,TVS,ESD TVS,PTC component.We have laboratories of EMC,aiming to provide total turnkey service of surge/ESD test and circuit PCB improvement.

sales@huaandz.com