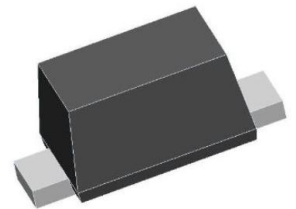
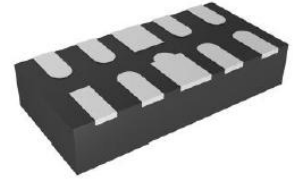
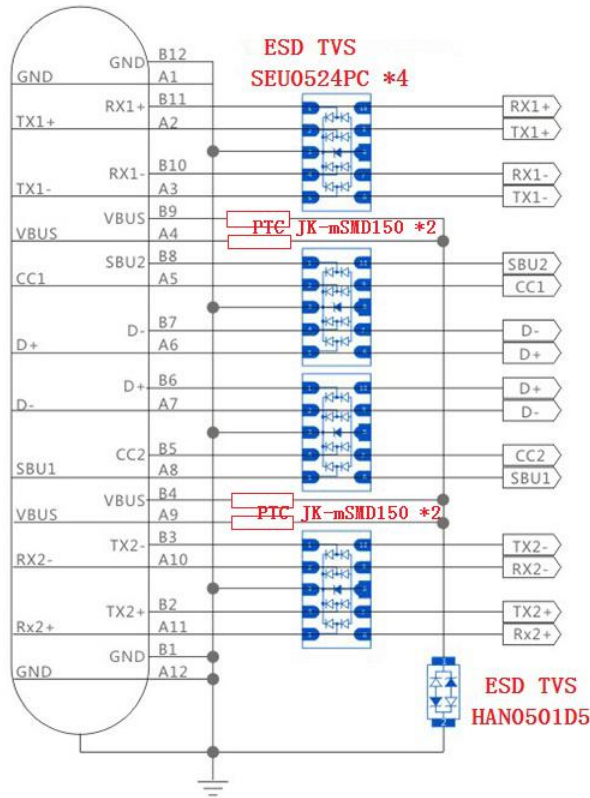


▼Type-C Solution: Surge level: Contact 8KV Air 15KV



## Specification.....

Part Number	VRWM	VBR	Co Typical value	Vc @1A	Ppp 8/20us	Package	ESD Air / Contact
<b>ESD TVS</b>	<b>V</b>	<b>V</b>	<b>pF</b>	<b>V<sub>max</sub></b>	<b>W</b>		
<b>HAN0501D5</b>	<b>5</b>	<b>6</b>	<b>20</b>	<b>9.0</b>	<b>100</b>	<b>SOD-523</b>	<b>±8kV / ±15kV</b>
<b>SEU0524PC</b>	<b>5</b>	<b>6</b>	<b>1</b>	<b>9.0</b>	<b>100</b>	<b>DFN2510-10</b>	<b>±8kV / ±15kV</b>

Part Number	Vmax	I max	Ih	Rmax	Size	Pd
<b>PTC</b>	<b>V</b>	<b>A</b>	<b>A</b>	<b>Ω</b>		<b>w</b>
<b>JK-mSMD150</b>	<b>8</b>	<b>100</b>	<b>1.5</b>	<b>0.16</b>	<b>1812</b>	<b>0.8</b>

We focus on development, production, distribution of GDT, TSS, MOV, TVS, ESD, PTC component. We have laboratories of EMC, aiming to provide total turnkey service of surge/ESD test and circuit PCB improvement.

[sales@huaandz.com](mailto:sales@huaandz.com)