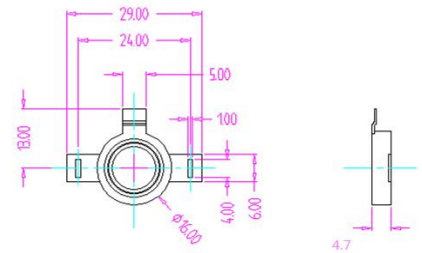
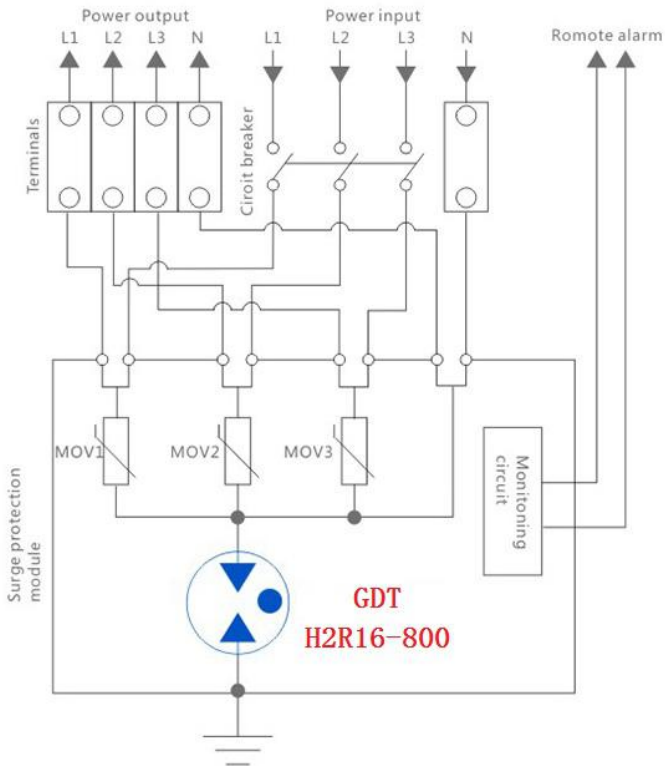


### ▼ AC220V Power Solution:

Surge level: 8/20μs CM/DM 20KA



### Specification.....

Part Number	DC Spark-over Voltage@ 100V/S	Insulation Resistance	Impulse discharge current(8/20μs)	AC discharge current (50Hz,1s,10times)	Capacitance (1MHz)	Size	UL Safety Certification
<b>GDT</b>	<b>V</b>	<b>GΩ</b>	<b>10 Times</b>	<b>A</b>	<b>PF</b>	<b>mm</b>	
<b>H2R16-800</b>	800V± 20%	>1	20KA	20	≤5	Φ16*4.7	√

We have laboratories of EMC,aiming to provide total turnkey service of surge/ESD test and circuit PCB improvement.

[sales@huaandz.com](mailto:sales@huaandz.com)