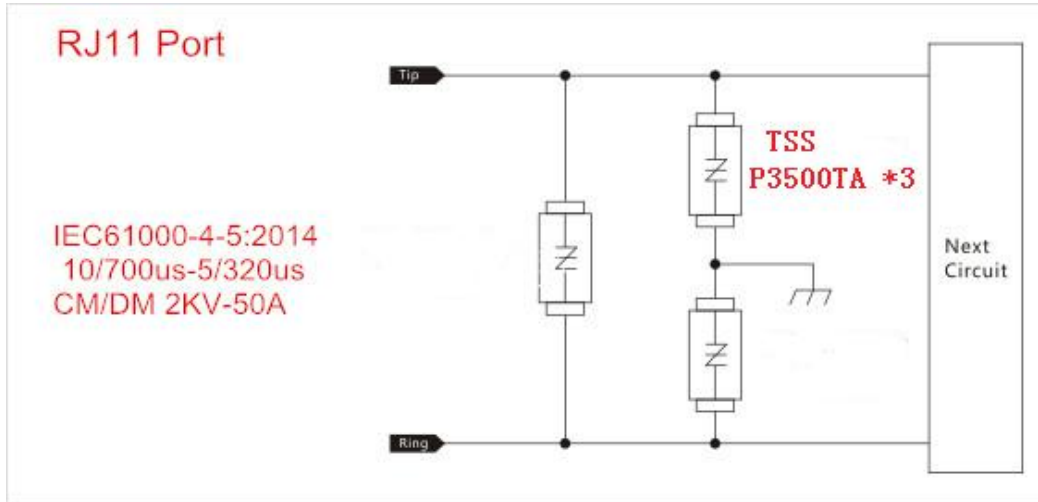


▼RJ11 Solution:



Specification.....

Part Number	V_{DRM} @ $I_{DRM}=5$ μA	V_s @100 $V/\mu s$	V_T @ $I_T=2.2Amps$	Capacitance @1MHz,2V bias	impulse withstand voltage	Package
TSS	V_{min}	V_{max}	V_{max}	pF	10/700us	
P3500TA	320	400	4	30	2KV	SMA

We focus on development, production,distribution of GDT,TSS.MOV,TVS,ESD,PTC component.We have laboratories of EMC,aiming to provide total turnkey service of surge/ESD test and circuit PCB improvement.

sales@huaandz.com