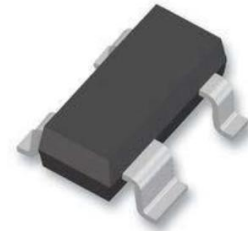
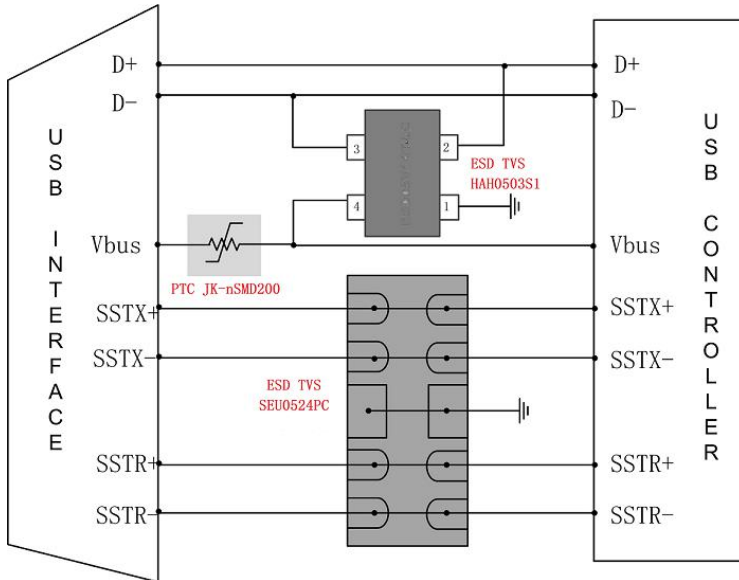
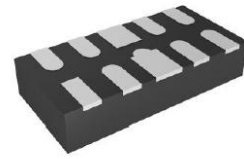


### ▼USB3.0 Solution:

Surge level: Contact 8KV Air 15KV



SOT-143



### Specification.....

Part Number	VRWM	VBR	Co Typical value	Vc @1A	Ppp 8/20us	Package	ESD Air / Contact
<b>ESD TVS</b>	V	V	pF	V <sub>max</sub>	W		
<b>SEU0524PC</b>	<b>5</b>	<b>6</b>	<b>1</b>	<b>9.0</b>	<b>100</b>	<b>DFN2510-10</b>	<b>±8kV / ±15kV</b>

Part Number	VRWM	VBR	Co Typical value	Vc @1A	Ppp 8/20us	Package	ESD Air / Contact
<b>ESD TVS</b>	V	V	pF	V <sub>max</sub>	W		
<b>HAH0503S1</b>	<b>5</b>	<b>6</b>	<b>0.8</b>	<b>10</b>	<b>75</b>	<b>SOT-143</b>	<b>±8kV / ±15kV</b>

Part Number	Vmax	I max	Ih	Rmax	Size	Pd
<b>PTC</b>	V	A	A	Ω		w
<b>JK-nSMD200</b>	<b>6</b>	<b>100</b>	<b>2</b>	<b>0.08</b>	<b>1206</b>	<b>0.8</b>

We focus on development, production, distribution of GDT, TSS.MOV, TVS, ESD, PTC component. We have laboratories of EMC, aiming to provide total turnkey service of surge/ESD test and circuit PCB improvement.

[sales@huaandz.com](mailto:sales@huaandz.com)