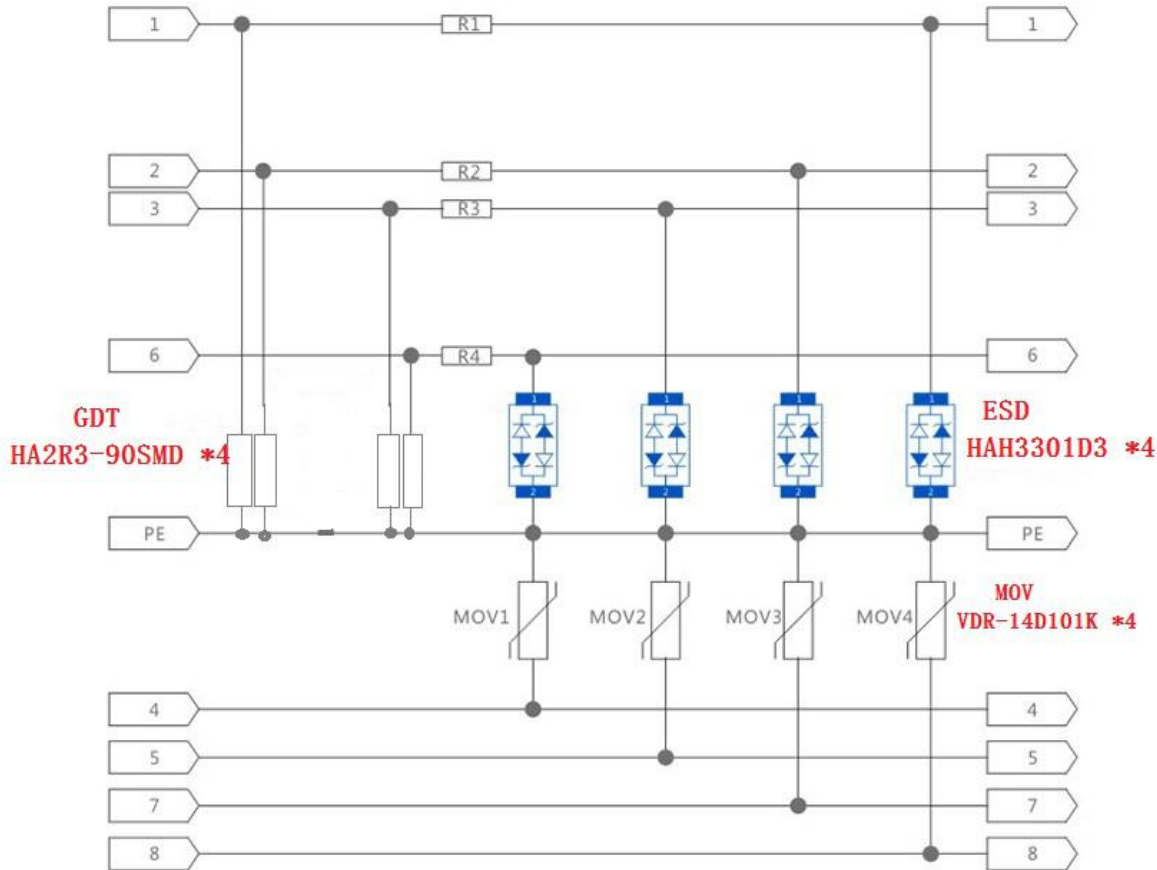


▼RJ45 POE Solution:

Surge level: 8/20 μ s CM/DM 2KA



Specification.....

Part Number	DC Spark-over Voltage @ 100V/S	Impulse Spark-over Voltage @1KV/ μ s	Insulation Resistance	Impulse discharge current(8/20 μ s)	AC discharge current (50Hz,1s,10times)	Capacitance (1MHz)	UL file number
GDT	V	V	G Ω	10 Times	A	PF	✓
HA2R3-90SMD	90 \pm 20%	\leq 450	>1	2KA	2	\leq 1	E505240

Part Number	VRWM	VBR	Co Typical value	Vc @1A	Ppp 8/20us	Package	ESD Air / Contact
ESD TVS	V	V	pF	V _{max}	W		
HAH3301D3	3.3	4	1	7.0	350	SOD-323	\pm8kV / \pm15kV

Part Number	Varistor Voltage @1mA	Withstanding surge current 8/20us	Maximum Clamping Voltage
MOV	V	A	V _{AT 50A}
VDR-14D101K	100(90-110)	4500	165

We focus on development, production,distribution of GDT,TSS.MOV,TVS,ESD,PTC component.We have laboratories of EMC,aiming to provide total turnkey service of surge/ESD test and circuit PCB improvement.

sales@huaandz.com