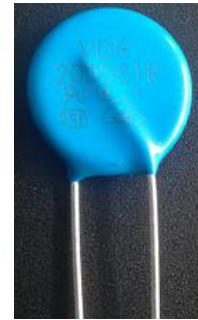
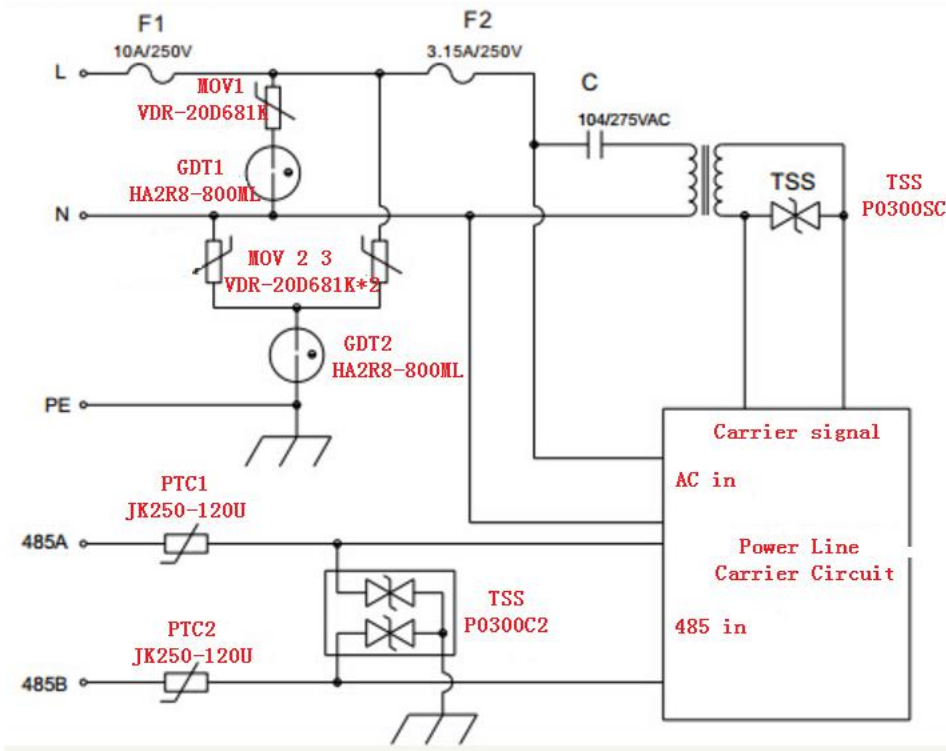


▼ Intelligent Meter Solution:

Surge level:

485 Port: 10/700us CM/DM 6KV

AC in Port: 1.2/50µs-8/20µs CM/DM 6KV-5KA



Specification.....

Part Number	DC Spark-over Voltage@ 100V/S	Insulation Resistance	Impulse discharge current(8/20µs)	AC discharge current (50Hz, 1s, 10times)	Capacitance (1MHz)	Size	UL file number
GDT	V	GΩ	10 Times	A	PF	mm	√
HA2R8-800ML	800V± 20%	>1	10KA	10	≤1	Φ8*6	E505240

Part Number	V _{DRM} @I _{DRM} =5 µ A	V _s @100V/µs	I _H	I _S	I _T	V _T @I _T =2.2Am ps	Capacitance @1MHz, 2V bias	impulse withstand voltage	Package
TSS	V min	V max	mA min	mA max	A max	V max	pF	10/700us	
P0300C2	25	40	50	800	2.2	4	120	6KV	SMB

Part Number	V _{DRM} @I _{DRM} =5 μ A	V _S @100V/ μs	I _H	I _S	I _T	V _T @I _T =2.2Am ps	Capacitance @1MHz,2V bias	impulse withstand voltage	Package
TSS	V _{min}	V _{max}	mA _{min}	mA _{max}	A _{max}	V _{max}	pF	10/700us	
P0300SC	25	40	50	800	2.2	4	100	6KV	SMB

Part Number	V _{max}	I _{max}	I _h	R _{max}	R _{min}	P _d
PTC	V	A	A	Ω	Ω	w
JK250-120U	250	10	0.12	11	6	0.8

Part Number	Varistor Voltage @1mA	Withstanding surge current 8/20us	Maximum Clamping Voltage	UL file number
MOV	V	A	V _{AT 50A}	√
VDR-20D681K	680(612-748)	6500	1120	E317616

We focus on development, production,distribution of GDT,TSS.MOV,TVS,ESD,PTC component.We have laboratories of EMC,aiming to provide total turnkey service of surge/ESD test and circuit PCB improvement.

sales@huaandz.com