

Gas Discharge Tubes

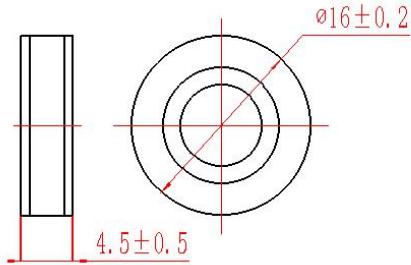
H2R16-600xx

1: Applications

- AC Power line N-PE applications
- Class I and Class II Surge protection



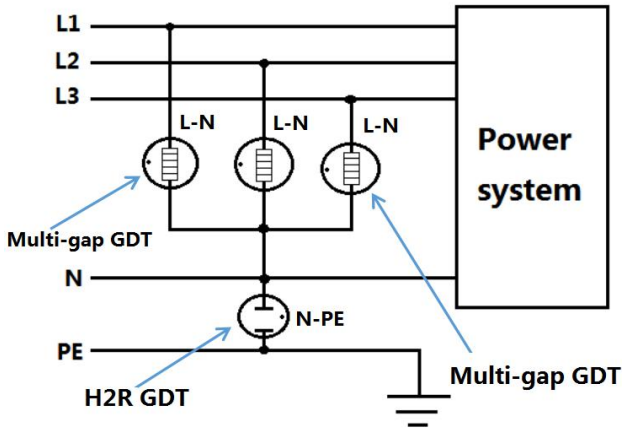
2: Dimension in mm



Specification of H2R16-600xx

| | | |
|--|------------------|--|
| Dc spark-over voltage (100V/s) | 1) | 600V ±20% |
| Front of wave spark-over voltage at 1.2/50us, 6KV | | < 1500V |
| Breakdown time | | < 100ns |
| - typical values | | < 20ns |
| Insulation resistance @DC250V | | 1000MΩ |
| Class I according to IEC 61643-11 | | |
| Max continuous operating voltage at 50/60 Hz | Uc | 255V |
| Nominal discharge current 8/20μs | In | 20KA |
| Impulse current 10/350μs | Iimp | 8KA |
| Class II according to IEC 61643-11 | | |
| Max continuous operating voltage at 50/60 Hz | Uc | 255V |
| Nominal discharge current 8/20μs | In | 20KA |
| Maximum discharge current 8/20μs | I _{max} | 40KA |
| capacitance at 1MHz | | < 5pF |
| Weight | | ~ 5g |
| UL 1449 Certification | | |
| On the UL List | | |
| Delivery time | | 20days |
| Operation and storage temperature | | -40℃ ... +90℃ |
| Marking, Blue | | |
| 1) At delivery AQL 0.65 level II Military Standard 105E. | 2R600 YY | 600 - Nominal voltage YY - Year of production |
| Approvals/ Standards IEC61643-11 | | |

3:Application Figure



What can we do for our GDT?

- 1: We Can customize voltage: 230V,500V,800V...etc
- 2: We Can developed low impulse GDT
- 3: We Can customize $U_c, I_n, I_{max}, I_{lim}, I_f, TOV$.
- 4: We Can developed cut off follow current 100A within 1 cycle when passing zero under AC260V(50Hz)
- 5: We Can customize multi-gap GDT used in DC or AC(L-N) over voltage protection
- 6: We Can customize GDT shape, marking, special Lead wire
- 7: We Can surpass our GDT competitors, help you pass the GDT test project & improve the GDT you currently use.
- 8: We can provide fast GDT delivery, Solve your GDT delivery time problem
- 9: We can help you analyze the competitor's parameters and tell you our perfect replacement GDT part number.