

8-Line Uni-directional Ultra low Capacitance TVS Diode Array



APPLICATION

- ◆ USB 3.0
- ◆ HDMI 1.4
- ◆ High-Speed Data Lines

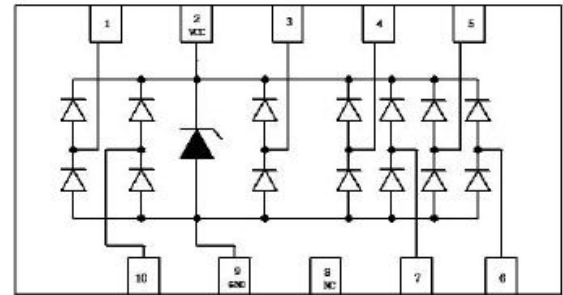
IEC COMPATIBILITY

Package: DFN4120-10

- ◆ IEC61000-4-2 (ESD) ±25kV (air), ±20kV (contact)
- ◆ IEC61000-4-4 (EFT) 40A (5/50ns)
- ◆ IEC61000-4-5 (Lightning) 5A (8/20µs)

FEATURES

- ◆ Ultra low capacitance: 0.3pF typical
- ◆ Ultra low leakage: nA level
- ◆ Low operating voltage: 5V
- ◆ Low clamping voltage
- ◆ Protects one power line and seven data lines
- ◆ Leadless flow-through package



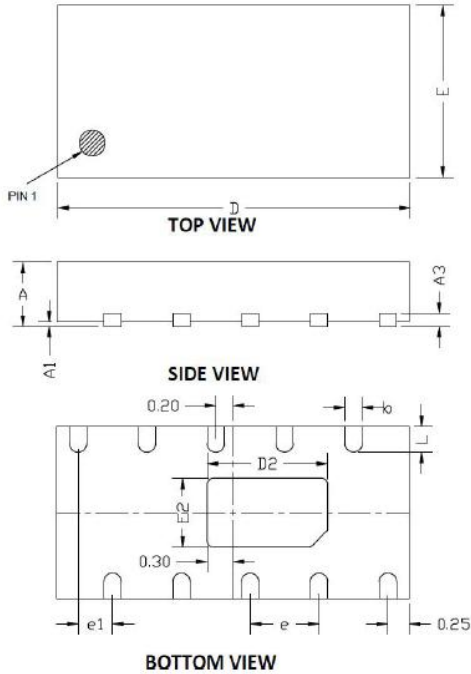
Electrical Characteristics

Parameter	Symbol	Value	Unit
Peak Pulse Power(tp=8/20uS waveform)	P _{PPP}	100	W
Peak Pulse Current(tp=8/20uS waveform)	I _{PP}	5	A
ESD per IEC 61000-4-2 (Air)	V _{ESD}	±25	kV
ESD per IEC 61000-4-2 (Contact)		±20	
Operating Temperature Range	T _J	-55 to +125	°C
Storage Temperature Range	T _{stg}	-55 to +150	°C

Part Number	VRWM	VBR	IR (max)	Co Max value	Vc @1A Max	Vc @ A Max	Ipp@8/20us	Ppp 8/20us	Delivery Time
	V	V	(uA)	pF	V	V	A max	W	Days
HAH0518PA	5	6	0.5	0.6	15	20	5	100	7days

8-Line Uni-directional Ultra low Capacitance TVS Diode Array

Package Mechanical Data



SYM	DIMENSIONS					
	MILLIMETERS			INCHES		
	MIN	NOM	MAX	MIN	NOM	MAX
A	0.50	0.55	0.60	.020	.022	.024
A1	0.00	-	0.05	.000	-	.002
A3	0.15 REF			.006 REF		
D	4.05	4.10	4.15	.162	.164	.166
E	1.95	2.00	2.05	.075	.080	.082
D2	1.25	1.40	1.50	.050	.056	.060
E2	0.65	0.80	0.90	.026	.032	.036
b	0.15	0.20	0.25	.006	.008	.010
L	0.20	0.30	0.40	.008	.012	.016
e	0.80BSC			.032BSC		
e1	0.40BSC			.016BSC		

Ordering Information

Part Number	Qty per Reel	Reel Size	Package	Delivery Time
HAH0518PA	3000pcs	7inch	DFN4120-10	7days

Specifications are subject to change without notice

2

Tel: +86-755-27465585

HUAAN LIMITED

www.huaandz.com

Email: sales@huaandz.com