

1-Line Bi-directional TVS Diode Array

**APPLICATION**

- ◆ Cellular Handsets and Accessories
- ◆ Personal Digital Assistants
- ◆ Notebooks and Handhelds
- ◆ Portable Instrumentation
- ◆ Digital Cameras
- ◆ Peripherals
- ◆ Audio Players
- ◆ Keypads, Side Keys, LCD Displays



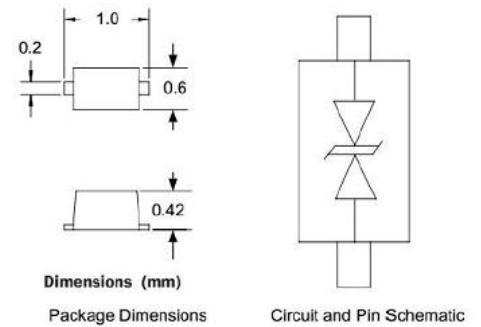
**IEC COMPATIBILITY**

Package: SOD-923

- ◆ IEC61000-4-2 (ESD) ±30kV (air), ±30kV (contact)
- ◆ IEC61000-4-5 (Lightning) 8A (8/20ns)

**FEATURES**

- ◆ Ultra small package: 1.0X0.6X0.4mm
- ◆ Protects one data or power line
- ◆ Working voltage: 5V
- ◆ 2-pin leadless package



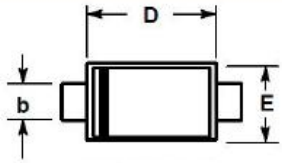
**Electrical Characteristics**

Parameter	Symbol	Value	Unit
Peak Pulse Power (tp=8/20µs waveform)	P <sub>ppp</sub>	80	W
Peak Pulse Current (8/20µs)	I <sub>pp</sub>	8	A
ESD per IEC 61000-4-2 (Air)	V <sub>ESD</sub>	±30	kV
ESD per IEC 61000-4-2 (Contact)		±30	
Operating Temperature Range	T <sub>J</sub>	-55 to +125	°C
Storage Temperature Range	T <sub>stg</sub>	-55 to +150	°C

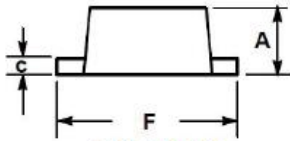
Part Number	VRWM	VBR	IR (max)	Co Max value	Vc @1A Max	Vc @8A Max	Ppp 8/20us	Delivery Time
	V	V	(µA)	pF	V	V	W	Days
HAN0501D9	5.0	6.0	0.2	20	10	12	80	7days

1-Line Bi-directional TVS Diode Array

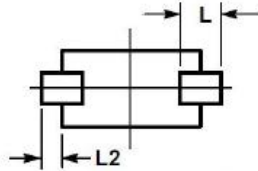
Package Mechanical Data



TOP VIEW



SIDE VIEW



BOTTOM VIEW

SYM	DIMENSIONS					
	MILLIMETERS			INCHES		
	MIN	NOM	MAX	MIN	NOM	MAX
A	0.39	0.42	0.45	0.016	0.017	0.018
b	0.15	0.20	0.25	0.006	0.008	0.010
c	0.07	0.12	0.17	0.003	0.005	0.007
D	0.75	0.80	0.85	0.030	0.032	0.034
E	0.55	0.60	0.65	0.022	0.024	0.026
F	0.95	1.00	1.05	0.038	0.040	0.042
L	0.19REF			0.007REF		
L2	0.05	0.10	0.15	0.002	0.004	0.006

Ordering Information

Part Number	Qty per Reel	Reel Size	Package	Delivery Time
<b>HAN0501D9</b>	8000pcs	7inch	SOD-923	7days