

1-Line Uni-directional TVS Diode Array

APPLICATION

- ◆ Cellular Handsets and Accessories
- ◆ Personal Digital Assistants
- ◆ Notebooks and Handhelds
- ◆ Portable Instrumentation
- ◆ Digital Cameras
- ◆ Peripherals
- ◆ Audio Players
- ◆ Keypads, Side Keys, LCD Displays



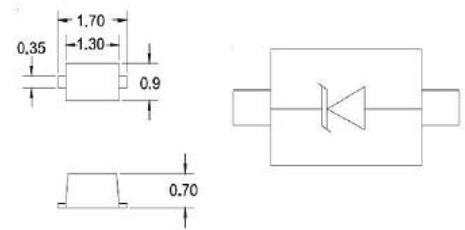
IEC COMPATIBILITY

Package: SOD-523

- ◆ IEC61000-4-2 (ESD) ±30kV (air), ±30kV (contact)

FEATURES

- ◆ 2-Pin SOD-523 package
- ◆ Protects one data or power line
- ◆ Working voltage: 3.3V - 36V



Maximum Dimensions (mm)

SOD-523 (Top View)

Package Dimensions

Circuit and Pin Schematic

Electrical Characteristics

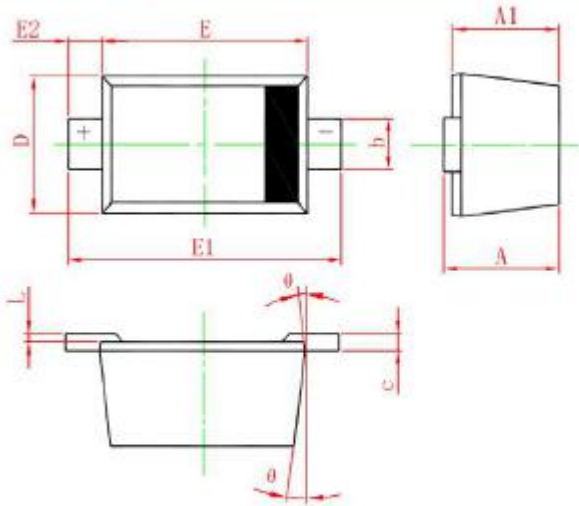
Parameter	Symbol	Value
Peak Pulse Power (8/20μs)	Ppk	300 W
ESD per IEC 61000-- (Air)	VESD	±30kV
ESD per IEC 61000-- (Contact)		±30kV
Operating Temperature Range	TJ	-55 to +125 °C
Storage Temperature Range	Tstg	-55 to +150 °C

Electrical Characteristics



Part Number	VRWM V	VBR V	IR (max) (uA)	Co Max value pF	Vc @1A Max V	Vc @ A Max V	Ipp@8/2 0us A max	Ppp 8/20us W	Delivery Time Days
HAN3311D5	3.3	4.8	45	150	7	15	27	300	7days
HAN0511D5	5	6	10	160	9.8	19	22	300	7days
HAN0711D5	7	7.5	1	160	12	20	18	300	7days
HAN1211D5	12	13.3	0.2	65	16	30	13	300	7days
HAN2411D5	24	27	10	40	40	60	5	300	7days
HAN3611D5	36	38	0.2	30	50	75	4	300	7days

Package Mechanical Data



SYM	DIMENSIONS					
	MILLIMETERS			INCHES		
	MIN	NOM	MAX	MIN	NOM	MAX
A	0.51	-	0.77	0.020	-	0.031
A1	0.50	-	0.70	0.020	-	0.028
b	0.25	-	0.35	0.010	-	0.014
c	0.08	-	0.15	0.003	-	0.006
D	0.75	-	0.85	0.030	-	0.033
E	1.10	-	1.30	0.043	-	0.051
E1	1.50	-	1.70	0.059	-	0.067
E2	0.20REF			0.008REF		
L	0.01	-	0.07	0.001	-	0.003
Φ	7° REF			7° REF		

Ordering Information

Part Number	Qty per Reel	Reel Size	Package	Delivery Time
HANxx11D5	5000pcs	7inch	SOD-523	7days